

SEIWA Increased Safety Fluorescent Lighting Fitting (Recessed)

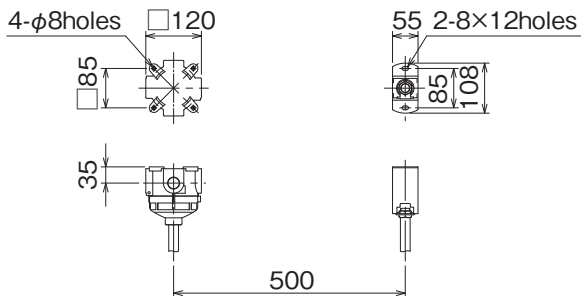
Type of protection:ed3aG4 (23W), ed3aG3 (45W)

- **High reliability in protection against explosion**
SEIWA AGAC lighting fittings are designed and constructed thoroughly with carefully selected materials to provide high reliability in protection against explosion.
Their quality is certified by the TIIS.
- **Made of stainless steel-high corrosion resistance**
The body, reflector, suspension pipe and bolts are made of stainless steel.
- **Weatherproof-for outdoor use**
The body, socket and ballast are weatherproof so that they can be used outdoors.
- **Easy cleaning of the lamp protector**
The guard can be easily opened, which allows easy cleaning of the lamp protector.
- **Easy installation, wiring and maintenance**
Installation is easy since the lamp is suspended by a coupling at the terminal box side and a hook at the non-electric side suspension pipe.
- **Lamp inclination for replacement**
The lamp can be inclined to facilitate replacement in a confined space.
- Our products, which combine high-frequency fluorescent lamps with electronic ballasts, achieve high-efficiency power usage with a high level of luminous intensity.

■ SPECIFICATIONS

- **Rated voltage** : 100V~242V
- **Lamp** : FHF32EX (45W)
FHF16EX (23W)
- **Start** : high frequency start
- **Materials of main components**
Body, reflector : stainless sheet steel
Socket : synthetic resin
Guard : nylon-coated steel bars
Lamp protector : hard glass
Terminal box : aluminium die casting
Suspension pipe: stainless steel pipe
- **Colour** : body : Mild grey (Munsell 10YR7/1)
reflector : white
- **Finish** : melamine resin coating
- **Entries** : four ways (G1/2 or 3/4 thread) with three blind plugs
- **Photometric data** : see p.31

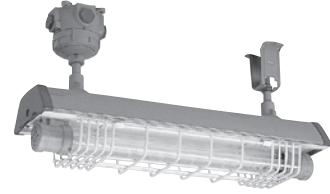
■ Mounting dimension



23W × 1 (ceiling)

AGAC23141

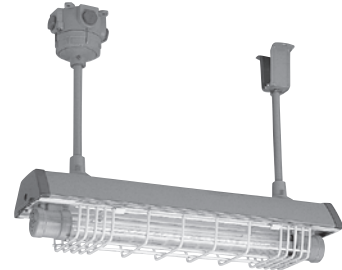
Mass : 9.0kg



23W × 1 (pipe pendant)

AGAC23142

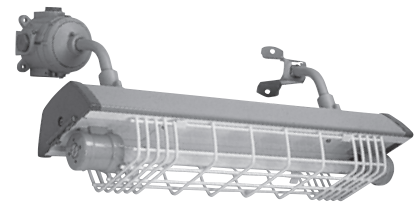
Mass : 9.5kg



23W × 1 (bracket)

AGAC23146

Mass : 9.0kg

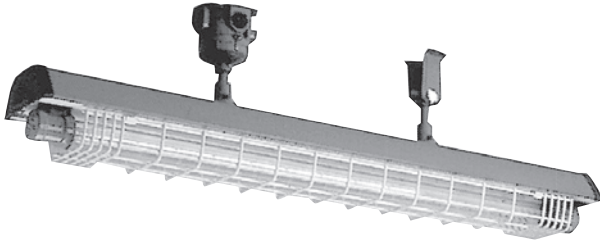


SEIWA Increased Safety Fluorescent Lighting Fittings (stainless steel)

45W × 1 (ceiling)

AGAC45141

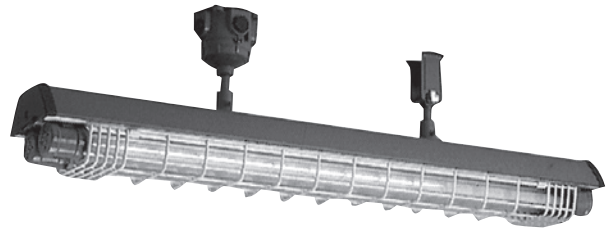
Mass : 11.5kg



45W × 2 (ceiling)

AGAC45241

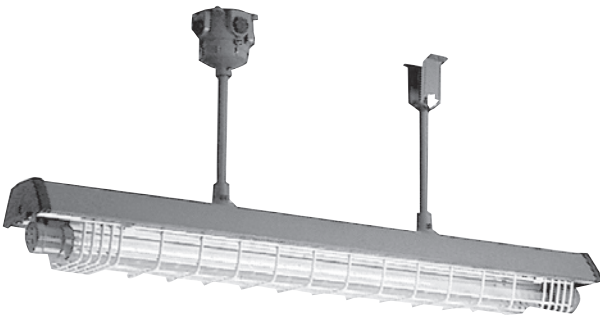
Mass : 13.5kg



45W × 1 (pipe pendant)

AGAC45142

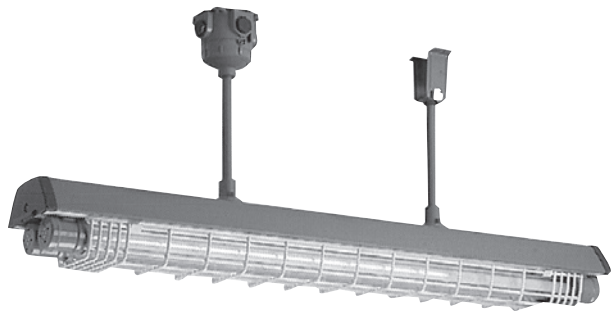
Mass : 12.0kg



45W × 2 (pipe pendant)

AGAC45242

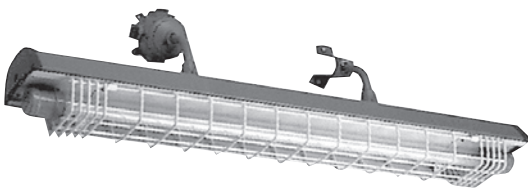
Mass : 14.0kg



45W × 1 (bracket)

AGAC45146

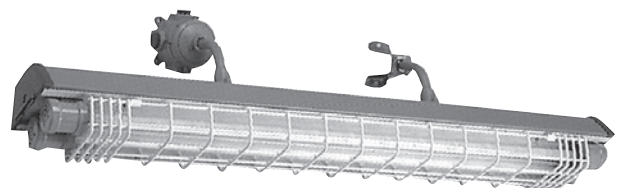
Mass : 11.5kg



45W × 2 (bracket)

AGAC45246

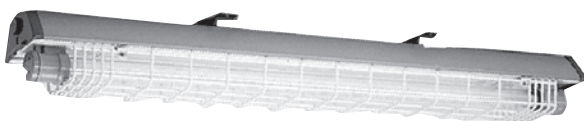
Mass : 13.5kg



45W × 1 (direct)

AGAC45112

Mass : 11.0kg



45W × 2 (direct)

AGAC45212

Mass : 13.0kg



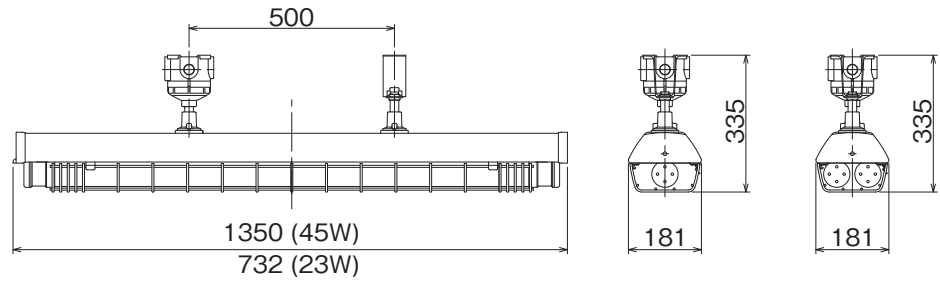
SEIWA Increased Safety Fluorescent Lighting Fittings (stainless steel)

● Installation drawings Type of protection : ed3aG4 (23W), ed3aG3 (45W)

AGAC45241 (45W×2)

AGAC45141 (45W×1)

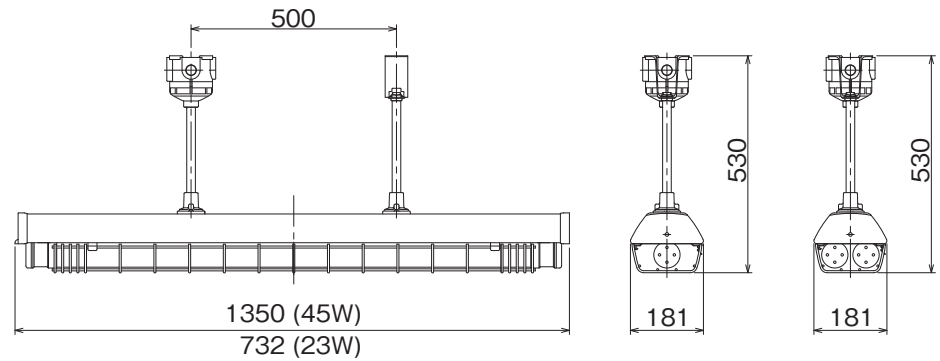
AGAC23141 (23W×1)



AGAC45242 (45W×2)

AGAC45142 (45W×1)

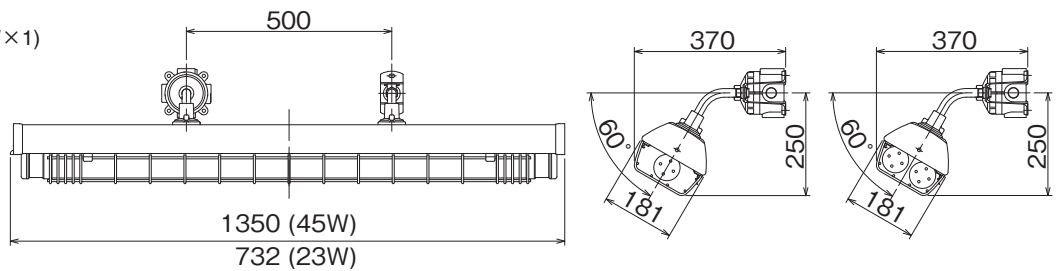
AGAC23142 (23W×1)



AGAC45246 (45W×2)

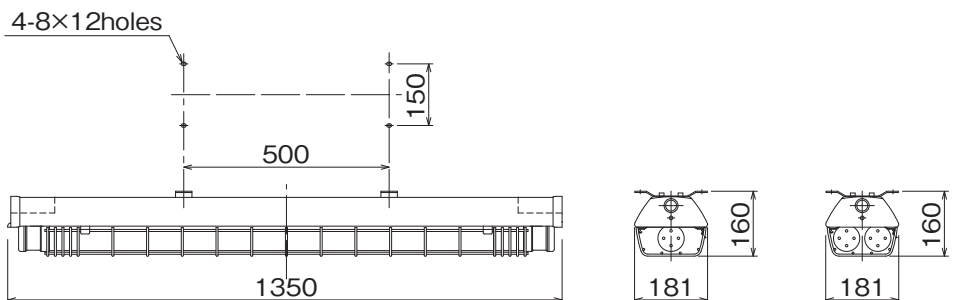
AGAC45146 (45W×1)

AGAC23146 (23W×1)



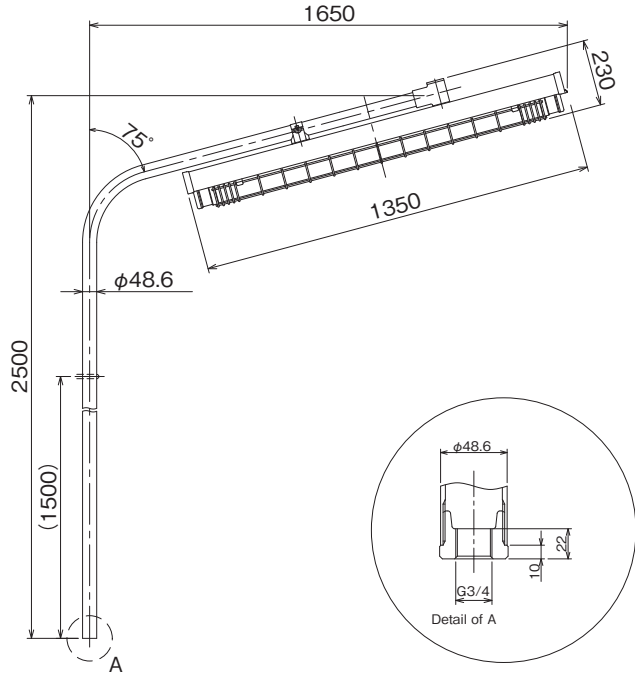
AGAC45212 (45W×2)

AGAC45112 (45W×1)

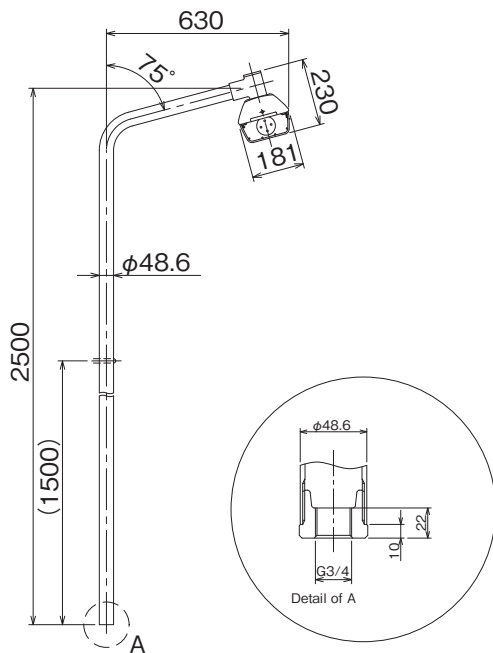


● Installation drawings Type of protection : ed3aG4 (23W), ed3aG3 (45W)

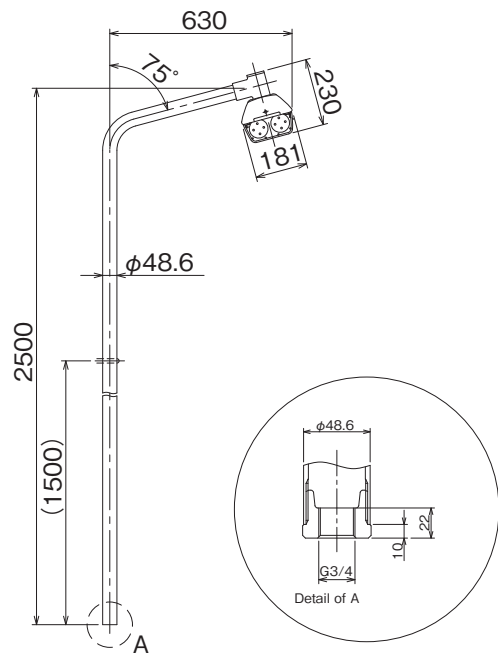
AGAC45151 (45W×1) **TYPE-1**
AGAC45251 (45W×2)



AGAC45152 (45W×1) **TYPE-2**



AGAC45252 (45W×2) **TYPE-2**

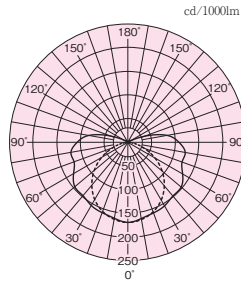


(Finish)
 Stand pole : rust-proof

AGAC231

		Coefficient of utilization									
		Ceiling		70%			50%			30%	
Reflec- tance	Wall	50%	30%	10%	50%	30%	10%	30%	10%	0%	
	Floor	10%									
Room index	0.60	280	219	176	262	208	169	197	162	139	
	0.80	345	281	234	322	266	224	252	214	186	
	1.00	402	339	291	377	322	279	305	267	236	
	1.25	451	389	340	422	369	326	349	311	277	
	1.50	488	429	381	457	406	364	384	347	310	
	2.00	540	485	439	505	459	419	434	400	359	
	2.50	576	526	483	540	498	461	470	439	395	
	3.00	602	556	515	564	525	490	496	467	421	
	4.00	637	597	561	599	565	534	533	508	460	
	5.00	658	622	589	618	588	560	555	532	483	
10.00	716	693	672	675	656	638	621	605	553		

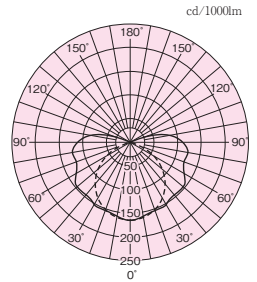
Lighting Fittings	AGAC231
Lamp	FHF16EX
Lamp Lumens	2100lm
Lamp Output Ratio	77.3%



AGAC451

		Coefficient of utilization									
		Ceiling		70%			50%			30%	
Reflec- tance	Wall	50%	30%	10%	50%	30%	10%	30%	10%	0%	
	Floor	10%									
Room index	0.60	281	219	176	263	208	169	197	161	138	
	0.80	346	281	234	324	266	224	252	214	186	
	1.00	404	340	291	378	322	279	305	267	235	
	1.25	453	391	341	424	370	326	350	312	277	
	1.50	491	431	382	459	407	365	385	348	310	
	2.00	543	488	441	508	461	421	435	401	359	
	2.50	580	529	486	543	500	463	472	440	396	
	3.00	606	559	518	568	528	493	498	468	423	
	4.00	642	602	565	603	568	537	537	510	462	
	5.00	663	627	593	623	592	563	559	535	485	
10.00	722	699	677	681	661	643	625	610	557		

Lighting Fittings	AGAC451
Lamp	FHF32x1
Lamp Lumens	4950lm
Lamp Output Ratio	78%



AGAC452

		Coefficient of utilization									
		Ceiling		70%			50%			30%	
Reflec- tance	Wall	50%	30%	10%	50%	30%	10%	30%	10%	0%	
	Floor	10%									
Room index	0.60	271	214	175	255	204	168	195	162	141	
	0.80	334	275	232	314	262	223	250	215	189	
	1.00	390	333	289	367	317	278	302	267	239	
	1.25	437	381	337	411	363	324	345	311	280	
	1.50	473	420	377	445	399	362	380	347	314	
	2.00	522	474	433	492	450	415	428	398	361	
	2.50	557	513	475	524	487	455	462	435	396	
	3.00	580	540	505	547	513	483	487	461	421	
	4.00	613	579	548	579	550	524	522	500	457	
	5.00	632	602	574	597	571	547	542	522	478	
10.00	683	664	647	647	631	616	599	587	540		

Lighting Fittings	AGAC452
Lamp	FHF32x2
Lamp Lumens	4950lmx2
Lamp Output Ratio	73%

