

Datasheet

T10 Green Filament Indicator Lamp, BA9s, 100/120 V 1.8 mA

RS Stock No.106-212



T3 (10mm) MCC Neon Lamps c/w Integral Resistor Neon Indicator Lamps

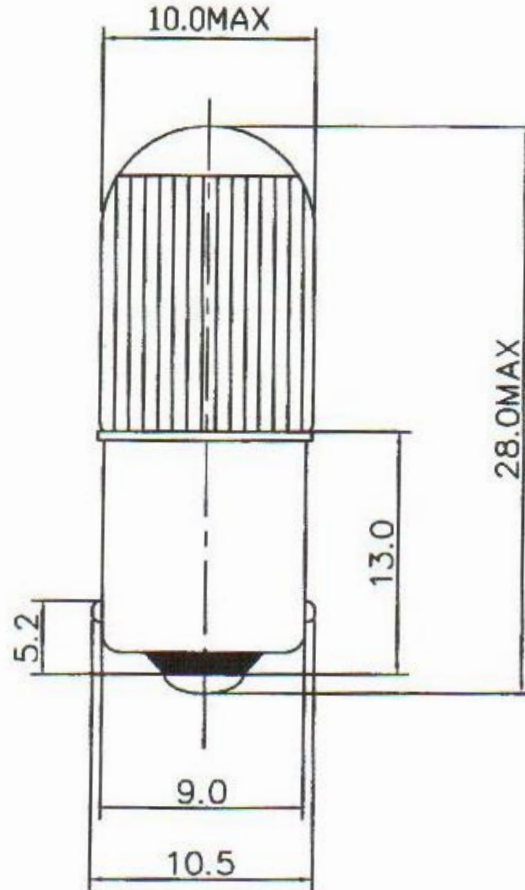
Lamp Base	BA9s
Lamp Size	T10
Light Colour	Green
Voltage Rating	100/120 V
Current Rating	1.8 mA
Length	28 mm
Life Hours	50000h

SPECIFICATION SHEET

RS Stock No.

106212

DRAWING - I



Unit : mm

1. Structure	Bulb Type	T10X30
	Bulb Diameter	Ø10.0Max.
	Length	28.0Max
	Base Type	Ba9s..
2. Design Characteristics	Voltage	100/120V
	Amperage	1.8mA±10%
	Gas Type	Neon gas-filled
	Life Hours	50,000Hrs