

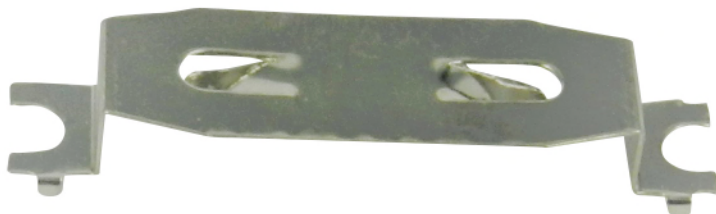


ENGLISH

Datasheet

RS Article:1854675

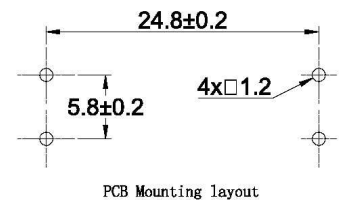
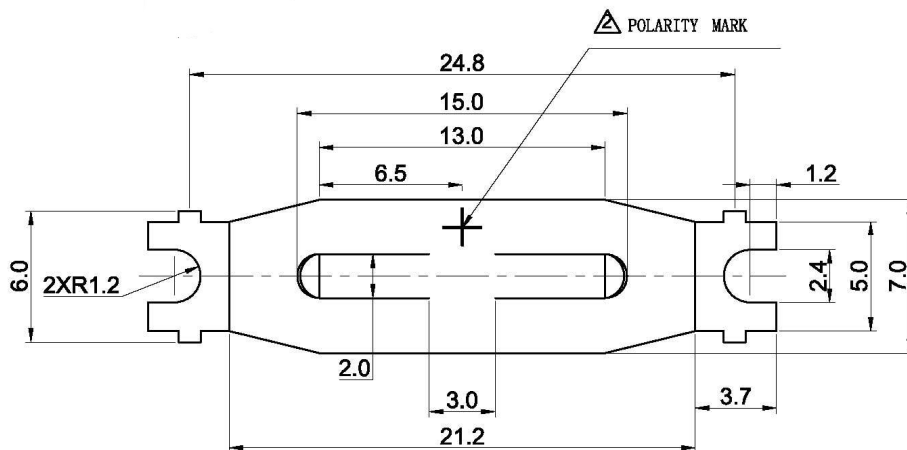
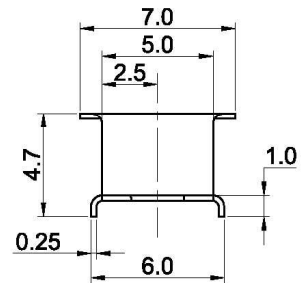
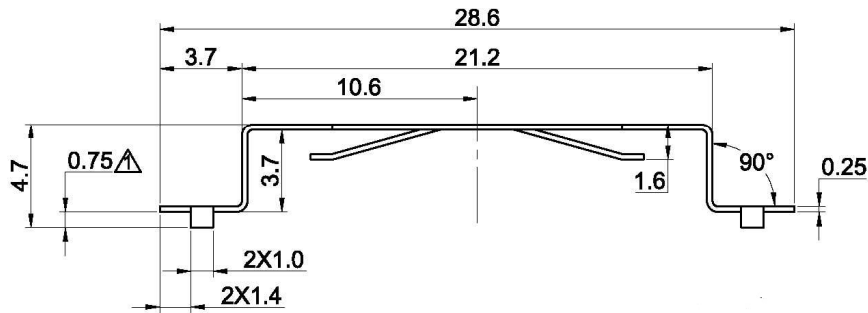
RS Pro Battery Holder



1. Preface:

The purpose of this product specification is to Dimension and drawing

Metal Coin Cell Holder CR2032



SPECIFICATION

- (1) ITEM NO: 1854675
- (2) MATERIAL: 0.25MM PHOSPHOR BRONZE NICKEL PLATED
- (3) RoHS COMPLIANT

Measure: mm