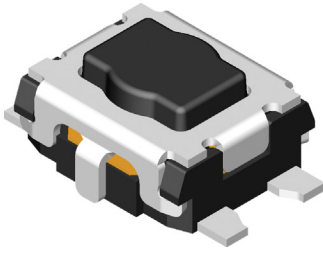


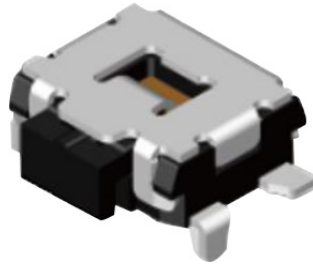
# Tactile Switches

2.9mm × 3.5mm, Side Push/Vertical Push

**multicomp** PRO



Top Push



Side Push

## Application

- Mobile phone
- Consumer electronics
- Automotive

## Features

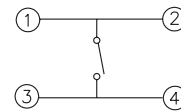
- Miniature 2.9mm × 3.5mm
- Vertical or side actuation
- Long operating life

## Specification

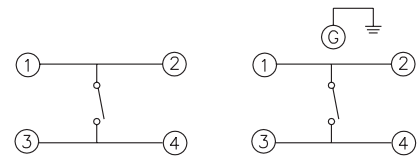
Contact Rating	: 10µA, 2V DC to 20mA, 15V DC
Contact Resistance	: 100mΩ max.
Insulation Resistance	: 100MΩ min. 100V DC
Dielectric Strength.	: 250V AC / 1 minute
Operating Force	: 100 ±50gf / 160 ±50gf / 240 ±80gf (Vertical Push) 160 +70/-40gf / 220 +80/-70gf (Side Push)
Travel	: 0.15mm Vertical Push) 0.2mm (Side Push)
Operating Life	: 100,000 cycles for side Push 200,000 cycles for 160 / 240gf 1,000,000 cycles for 100gf (Vertical Push)
Operating Temp.	: -40°C to +85°C
Storage Temp.	: -40°C to +85°C

## Circuit

Without Ground Pin

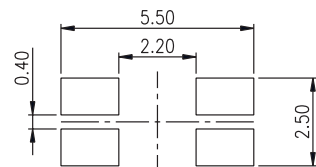
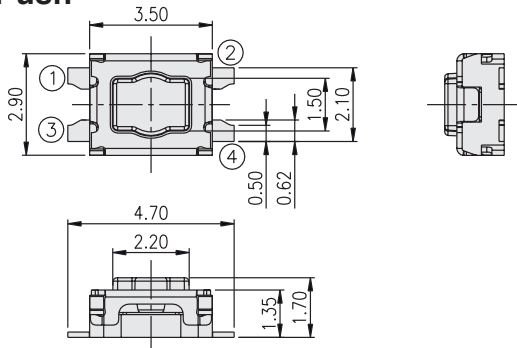


With Ground Pin



## Diagram

### Top Push



Dimensions : Millimetres

P.C.B. LAYOUT

Newark.com/multicomp-pro  
Farnell.com/multicomp-pro  
sg.element14.com/b/multicomp-pro

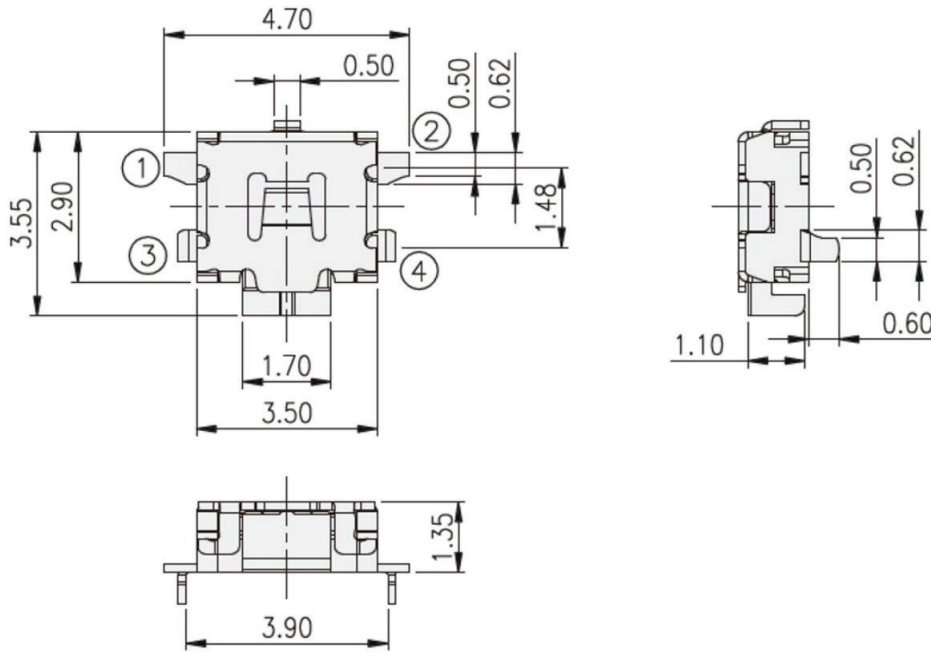
**multicomp** PRO

# Tactile Switches

2.9mm × 3.5mm, Side Push/Vertical Push

**multicomp** PRO

## Side Push



## Part Number Table

Description	Part Number
Tactile Switch, Side Push, J Pin, Black, 160gf	MPBFL12KQR
Tactile Switch, Side Push, J Pin, Black, 220gf	MPBFL13KQR
Tactile Switch, Vertical Push, J Pin, 1.7mm, Black, 100gf	MPBFL21KQR
Tactile Switch, Vertical Push, J Pin, 1.7mm, Black, 240gf	MPBFL24KQR
Tactile Switch, Side Push, Flat Pin, Black, 160gf	MPBFF12KQR
Tactile Switch, Side Push, Flat Pin, Black, 220gf	MPBFF13KQR
Tactile Switch, Vertical Push, Flat Pin, Black, 100gf	MPBFF21KQR
Tactile Switch, Vertical Push, Flat Pin, Black, 240gf	MPBFF24KQR

**Important Notice :** This data sheet and its contents (the "Information") belong to the members of the AVNET group of companies (the "Group") or are licensed to it. No licence is granted for the use of it other than for information purposes in connection with the products to which it relates. No licence of any intellectual property rights is granted. The Information is subject to change without notice and replaces all data sheets previously supplied. The Information supplied is believed to be accurate but the Group assumes no responsibility for its accuracy or completeness, any error in or omission from it or for any use made of it. Users of this data sheet should check for themselves the Information and the suitability of the products for their purpose and not make any assumptions based on information included or omitted. Liability for loss or damage resulting from any reliance on the Information or use of it (including liability resulting from negligence or where the Group was aware of the possibility of such loss or damage arising) is excluded. This will not operate to limit or restrict the Group's liability for death or personal injury resulting from its negligence. Multicomp Pro is the registered trademark of Premier Farnell Limited 2019.

Newark.com/multicomp-pro  
Farnell.com/multicomp-pro  
sg.element14.com/b/multicomp-pro

**multicomp** PRO