



## Main

Product or component type	Passive filter
Product specific application	Reduction of current harmonics

## Complementary

Range compatibility	Altivar&Nbsp;Process ATV600 Altivar 71 Altivar&Nbsp;Process ATV900 Altivar 61
[Us] rated supply voltage	400 V +/- 10 %
Power supply frequency	50 Hz +/- 2 %
Quantity per drive	1 filter per drive for variable speed drive ATV61W motor: 22 kW/30 hp 1 filter per drive for variable speed drive ATV61H motor: 22 kW/30 hp 1 filter per drive for variable speed drive ATV71H motor: 22 kW/30 hp 1 filter per drive for variable speed drive ATV71W motor: 22 kW/30 hp 1 filter per drive for variable speed drive ATV650 wall mount, motor: 22 kW/30 hp 1 filter per drive for variable speed drive ATV630 wall mount, motor: 22 kW/30 hp 1 filter per drive for variable speed drive ATV950 wall mount, motor: 22 kW/30 hp 1 filter per drive for variable speed drive ATV930 wall mount, motor: 22 kW/30 hp
[In] rated current	43 A for input 45 A for output
Network number of phases	3 phases
THDI	10 % for variable speed drive ATV61W motor: 22 kW/30 hp[RETURN]16 % for variable speed drive ATV61H motor: 22 kW/30 hp[RETURN]16 % for variable speed drive ATV71H motor: 22 kW/30 hp[RETURN]16 % for variable speed drive ATV71W motor: 22 kW/30 hp[RETURN]10 % for variable speed drive ATV650 motor: 22 kW/30 hp[RETURN]10 % for variable speed drive ATV630 motor: 22 kW/30 hp[RETURN]10 % for variable speed drive ATV950 motor: 22 kW/30 hp[RETURN]10 % for variable speed drive ATV930 motor: 22 kW/30 hp
Max current	1.5 x nominal current (duration = 60 s)
Efficiency	98 %
Thermal losses	274 W
Cos phi	1 (150 % of line current) 0.85 (75 % of line current) 0.99 (100 % of line current)
Electrical connection	A, B terminal, connection capacity: 2.5 mm <sup>2</sup> X1-1...X2-3 terminal, connection capacity: 1.5...25 mm <sup>2</sup>
Electrical insulation class	Class F
Net weight	39 kg

## Environment

IP degree of protection	IP20 IP55 (enclosure mounting)
Vibration resistance	2 mm peak to peak (f= 5...13.2 Hz) conforming to IEC 60068-2-6 0.7 gn (f= 13.2...150 Hz) conforming to IEC 60068-2-6
Relative humidity	5...85 % without condensation
Ambient air temperature for operation	45...60 °C (with current derating 3 % per °C) 5...45 °C (without current derating)
Ambient air temperature for storage	-25...55 °C storage in original packaging -25...65 °C during transport
Operating altitude	<= 1000 m without current derating > 1000...4000 m with current derating 5 % per 1000 m
Standards	IEC 61000-2-4 IEC 61000-3-4 G5/4 engineering recommendation IEC 61000-3-12 IEC 61000-2-2 IEC 61000-3-2

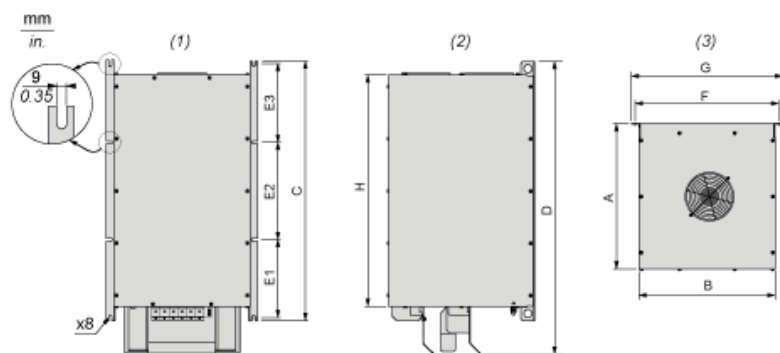
## Packing Units

Unit Type of Package 1	PCE
Number of Units in Package 1	1
Package 1 Height	61.000 cm
Package 1 Width	60.000 cm
Package 1 Length	80.000 cm
Package 1 Weight	60.500 kg

## Offer Sustainability

REACH Regulation	<a href="#">REACH Declaration</a>
REACH free of SVHC	Yes
EU RoHS Directive	Pro-active compliance (Product out of EU RoHS legal scope) <a href="#">EU RoHS Declaration</a>
Toxic heavy metal free	Yes
Mercury free	Yes
China RoHS Regulation	<a href="#">China RoHS Declaration</a>
RoHS exemption information	<a href="#">Yes</a>

Dimensions



- (1) Front view
- (2) Right side view
- (3) Top view

Dimensions in mm

A	B	C	D	E1	E2	E3	F	G	H
242	330	547	594.08	145	233	145	353	378	460

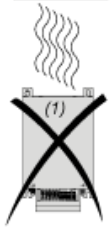
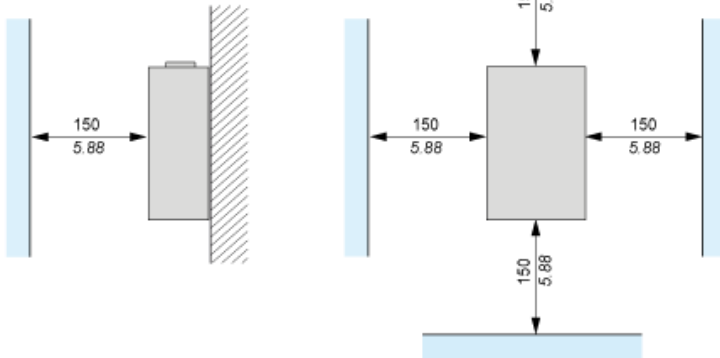
Dimensions in in.

A	B	C	D	E1	E2	E3	F	G	H
9.53	12.99	21.54	23.39	5.71	9.17	5.71	13.90	14.88	18.11

Mounting Recommendations

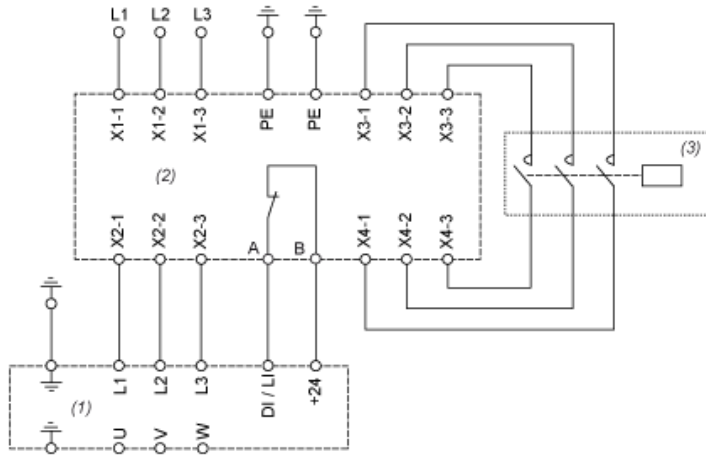
Vertical Mounting Only

mm  
in.



(1) Filter

Recommended Schema



- (1) Drive
- (2) Filter
- (3) Optional