

Datasheet

430 S/Steel W/Zinc Plated Bolt Heavy Duty Clamps

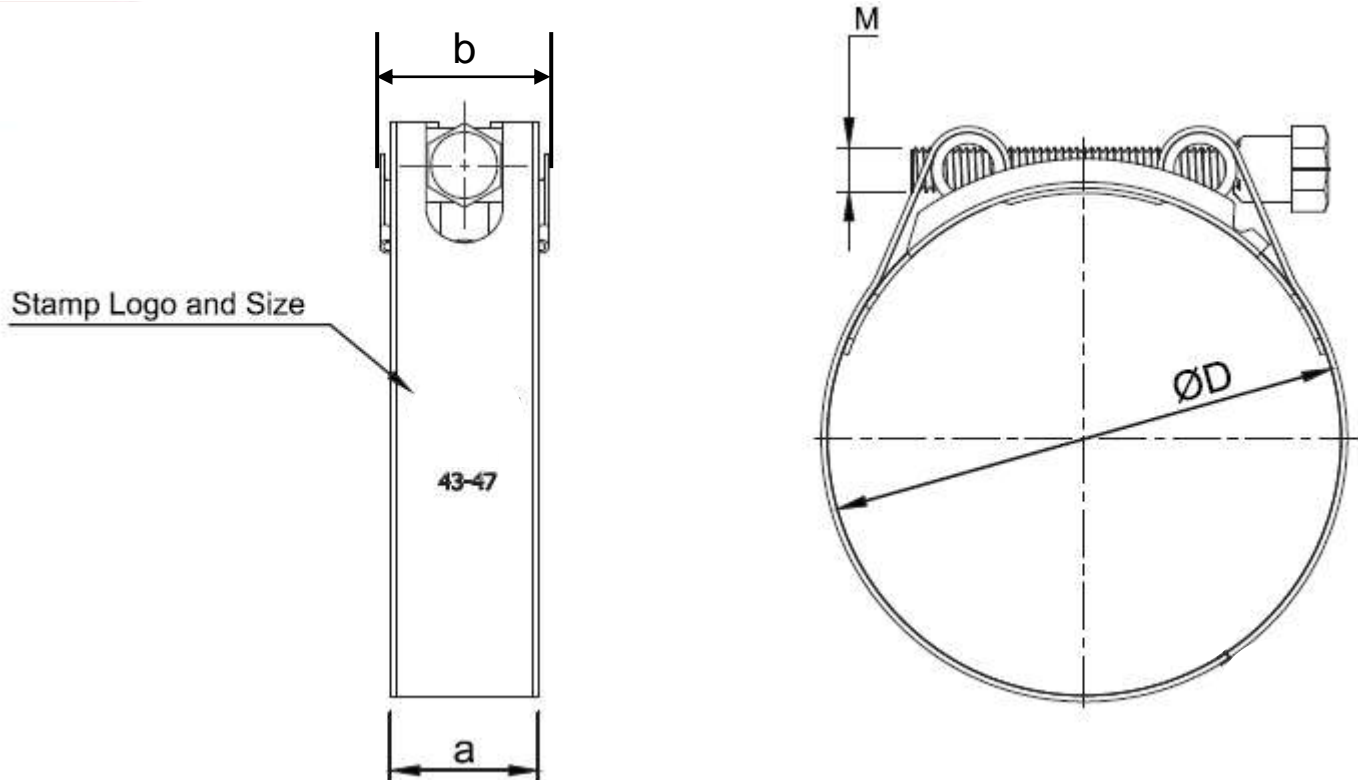


Specification:

Material: Band and Bridge - 430 Stainless Steel / Bolt - Zinc Plated Steel

Plating: Chromate 6

Drawing:



Stock No.	Range		RT	Max. Values	Dimension		
	mm	inch			a	b	M
1963954	34 - 37	1 5/16 - 1 7/16	5.0	45	18 ±0.2	19.5 ±0.2	M5
1963955	40 - 43	1 9/16 - 1 11/16	5.0	44			
1963956	47- 51	1 7/8 - 2	8.4	44	20 ±0.2	23 ±0.2	M6
1963957	51 - 55	2 - 2 3/16	8.4	40			
1963958	55 - 59	2 3/16 - 2 5/16	8.4	40			
1963959	63 - 68	2 1/2 - 2 11/16	8.4	36	25 ±0.2	28 ±0.2	M8
1963960	68 - 73	2 11/16 - 2 7/8	20.0	28			
1963961	73 - 79	2 7/8 - 3 1/8	20.0	28			
1963962	104 - 112	4 1/8 - 4 7/16	20.0	12			

*RT; Recommended Torque



Product feature:

The Heavy Duty Clamps are designed with three spot welding on the underside of the band, with a unique inward band forming to provide higher strength for applications which require a high tightening torque or reinforced thick wall hose.