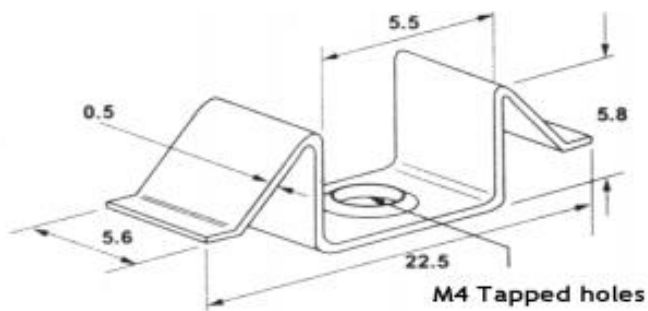


Datasheet

Heatsink Retaining Clip For Use With TO-220

RS Stock number [485 -8897](#)



Description

(Transistor gull wing clips)

Kool pads gull wing clips offer an easy way of mounting one or two plastic case transistors in a small place. Gull wing clips deliver a high mounting pressure to the centre of the transistor providing maximum heat transfer.

Specifications

Suitable for use with any panel of pad thickness. Maximum force is 11Kg per transistor. Zinc Delta tone coated finish as standard.

Nylon coating breakdown voltage 750V giving up to 3500V isolation from the transistor tab. Depending on application