

**RoHS
Compliant**



Description

These series power fuses are specially engineered and tested to provide excellent protection performance in Industrial ESS and Power Distribution Protection. With currents from 160A to 800A with a breaking capacity of 250kA.

Application

- Industrial ESS and BESS protection
- Power Distribution Protection

Agency Information

- Ref. to IEC 60269-1 / IEC 60269-4
- Approval: UL & TUV
- IATF 16949 quality system

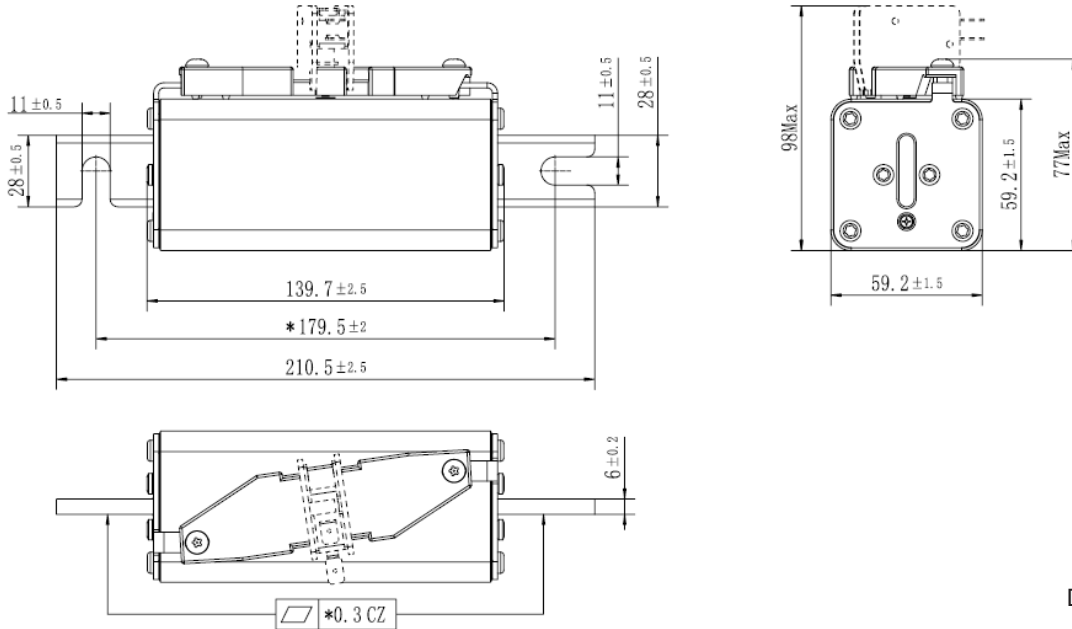
Features

- Rated Voltage: 1500 Vdc
- Amperage Rating: 160A-800A
- Breaking Capacity: 250kA
- Time Constant: 3-5ms
- Class Type: aR
- Strong current limiting capacity
- This series PN in this datasheet is without microswitch.

Specification Table

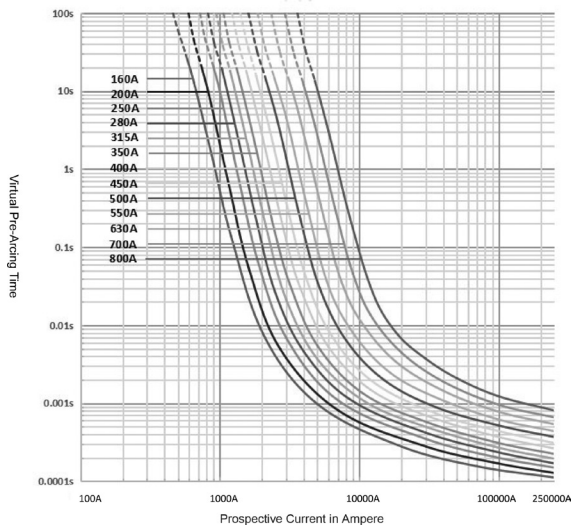
Part Number	Ampere Code	Rated Current / A	Rated Voltage V DC	Breaking Capacity	I ² t (A ² s)		Power Loss / W_100% Rated
					Pre-Arcing	Total	
MP012366	3200	200	1500	250kA	12900	32508	60
MP012367	3315	315			34406	89799	133.8
MP012368	3350	350			45240	119433	143
MP012369	3400	400			64361	171844	159.3
MP012370	3500	500			109226	298187	183.2
MP012371	3800	800			389471	1109993	253.4

Diagram



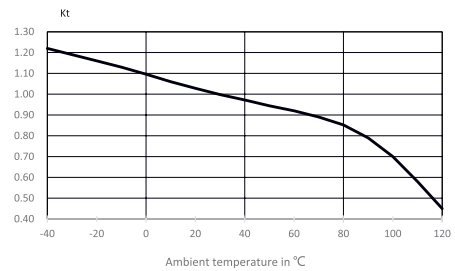
Dimensions : Millimetres

Time Current Curve



Temperature Correction Curve

When the fuse is operating below -5°C or above 40°C , the rated current needs additional modification. The correction factor is K_t .



Part Number Table

Description	Part Number
Industrial Fuse, 200A, 1500V DC	MP012366
Industrial Fuse, 315A, 1500V DC	MP012367
Industrial Fuse, 350A, 1500V DC	MP012368
Industrial Fuse, 400A, 1500V DC	MP012369
Industrial Fuse, 500A, 1500V DC	MP012370
Industrial Fuse, 800A, 1500V DC	MP012371

Important Notice : This data sheet and its contents (the "Information") belong to the members of the AVNET group of companies (the "Group") or are licensed to it. No licence is granted for the use of it other than for information purposes in connection with the products to which it relates. No licence of any intellectual property rights is granted. The Information is subject to change without notice and replaces all data sheets previously supplied. The Information supplied is believed to be accurate but the Group assumes no responsibility for its accuracy or completeness, any error in or omission from it or for any use made of it. Users of this data sheet should check for themselves the Information and the suitability of the products for their purpose and not make any assumptions based on information included or omitted. Liability for loss or damage resulting from any reliance on the Information or use of it (including liability resulting from negligence or where the Group was aware of the possibility of such loss or damage arising) is excluded. This will not operate to limit or restrict the Group's liability for death or personal injury resulting from its negligence. Multicomp Pro is the registered trademark of Premier Farnell Limited 2019.