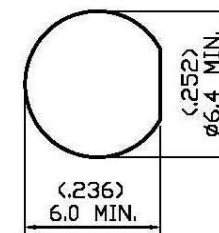
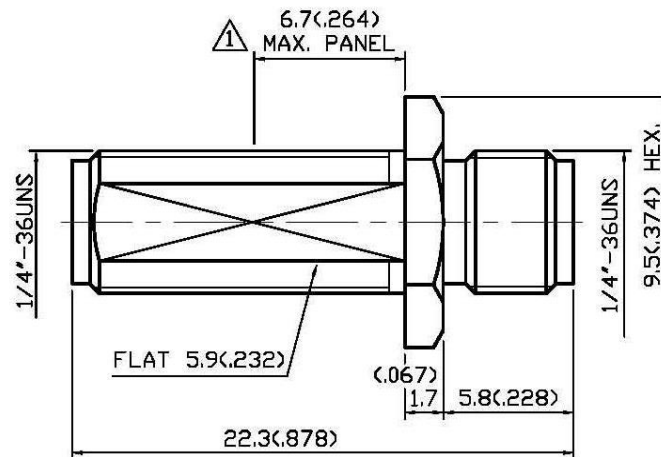
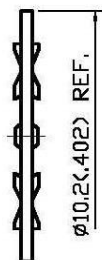
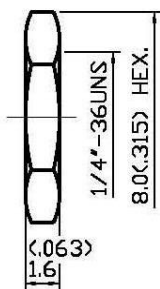


NO	DESCRIPTION	DATE
⚠	ADD 6.7 MAX. PANEL DEL PROOF VOLTAGE WORKING VOLTAGE → VOLTAGE RATING	09.18.13'



MOUNTING HOLE

1.0 ELECTRICAL

- 1.1 FREQUENCY RANGE: DC-18 GHz
- 1.2 NOMINAL IMPEDANCE: 50 OHMS
- 1.3 VOLTAGE RATING: 500 VOLTS MAX. ⚠
- 1.4 VSWR: 1.23 MAX.

2.0 MATERIALS

- 2.1 BODIES: BRASS PER JIS-C3604
- 2.2 CENTER CONTACT: BERYLLIUM COPPER PER ASTM B196 UNS C17300
- 2.3 INSULATION: TEFLON PER ASTM D1457 AND ASTM D1710

3.0 FINISHES AND OTHERS

- 3.1 SEE BELOW TABLE FOR DETAILS.

4.0 MECHANICAL

- 4.1 INTERFACE IN ACCORDANCE WITH: MIL-STD-348A

5.0 ENVIRONMENTAL

- 5.1 OPERATING TEMPERATURE RANGE: -65° C TO +185° C

NO	DESCRIPTION	MATERIAL	Q' TY	FINISH
5	INSULATION	TEFLON	1	NONE
4	CENTER CONTACT	BERYLLIUM COPPER	1	GOLD 50μ" MIN.
3	BODY	BRASS	1	GOLD 30μ" MIN.
2	WASHER	BRASS	1	GOLD 10μ" MIN.
1	NUT	BRASS	1	GOLD 10μ" MIN.



APPROVED by _____ DATE: _____

DESCRIPTION		SMA JACK BULKHEAD SMA JACK ADAPTOR						
製圖	DRAWN	TOLERANCE	品名	19-21-3 T.G.G	日期	DATE	版次	REV.
	<i>Kristina</i>							
檢圖	CHECK	單位	UNIT	DWG.NO.	19-0255			
	<i>Arc</i>					.XX ±0.1	mm(in)	
認定	APPROVAL	比例	SCALE					
	<i>Angela</i>			.XXX ±0.05	4:1			
	ANGLE	±5°						