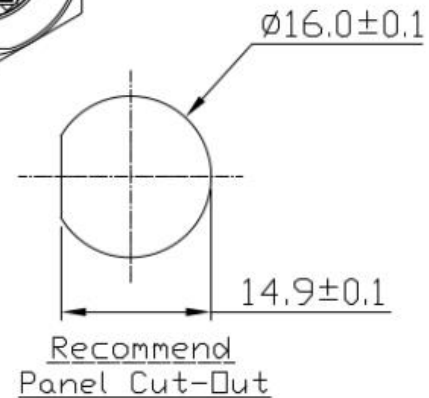
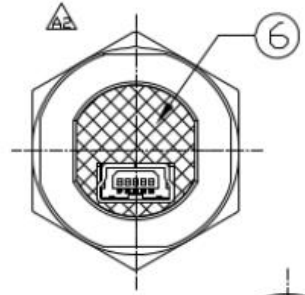
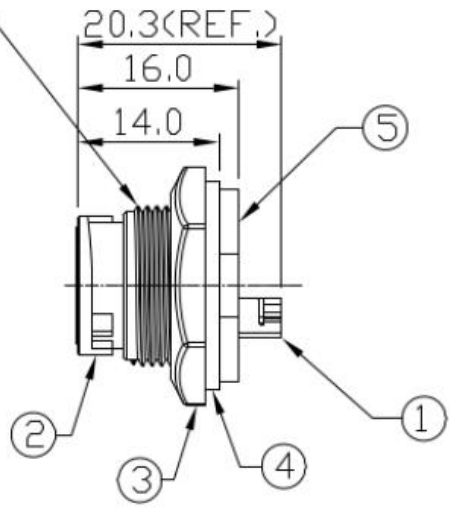
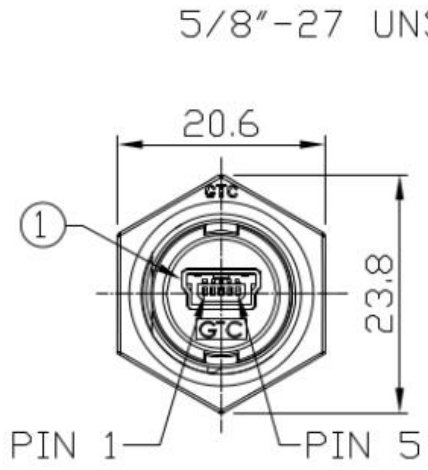




Notes: (Unless Otherwise Specified)

1. Waterproof Rate: IP67.
2. Recommend Panel Thickness: 0.8 to 3.0 mm.
3. Recommend Torque: 9-10 KgF-cm.
4. Mating Cap P/N: 125-7925
5. RoHS Compliant.

REV	ECN#	DESCRIPTION OF REVISION	DRAW BY DATE	CHECK BY DATE	APPROVE BY DATE
A0		Mass Production	Vicky 12/10/09	Ray 12/10/09	Ray 12/10/09
A1	ECN-101104	Marked	Vicky 11/17/10	Ray 11/17/10	Ray 11/17/10
A2	ECN-140209	Marked	Jayce 02/20/14	Ray 02/20/14	Ray 02/20/14



Mating Part:
122-3019

6	Glue	Epoxy Color: Black	
5	PCB	FR-4 Color: —	1
4	Gasket	Silicone Color: Black	1
3	Hex Nut	Thermoplastic Color: Black	1
2	Housing	Thermoplastic Color: Black	1
1	Mini USB-B Receptacle	Housing: Thermoplastic, Color: Black Contacts: Copper Alloy, Finish: Au Plated Shell: Copper Alloy, Finish: N Plated	2
Item	Part Name	Material / Finish	Qty

TITLE						TOLERANCES		UNIT	SHEET
Mini USB-B Plastic C2 Panel Mount Receptacle To Mini USB-B Receptacle Coupler						X.X ± 0.5	X.XXX ± 0.05	mm	1/1
THIRD ANGLE PROJECTION						B	1:1	Vicky 12/10/09	Ray 12/10/09
		SIZE	SCALE	DRAW / DATE	CHECK / DATE	APPROVE / DATE			

RS Stock No
111-6756