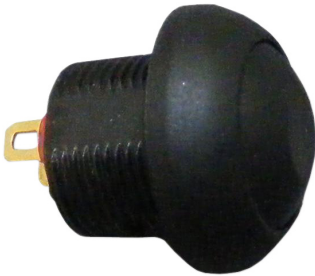


Miniature Pushbutton Switches **multicomp** PRO

RoHS
Compliant



Specifications:

Max. current/voltage rating with resistive load : 400mA 32V AC, 100mA 50V DC and 125mA 125V AC
 Max. initial contact resistance : 50mΩ
 Min. insulation resistance : 1GΩ at 500V DC
 Dielectric strength : 1,000V AC rms
 Electrical life at full load : 500,000 cycles

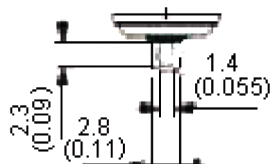
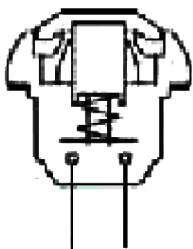
Panel Thickness:

-B1 series : 0.8mm (0.031 inches) min. and 1.8mm (0.071 inches) max.
 -B2 series : 1.5mm (0.059 inches) min. and 4mm (0.157 inches) max.
 Total travel : 1.5mm (0.59 inches)
 Operating force : 2N to 5N
 Contact bounce : 10ms
 Mechanical life : 1,000,000 cycles
 Max. torque : 1.5 Nm applied to nut
 Max. soldering : 300°C for 3 seconds

Switch Function

Number Poles	Switch Function		Connected Terminals			Model Number
	Position 1	Position 2	Position 1	Position 2	Schematic	
SP	OFF	MOM	OPEN	1-3		PAS6

Pole Options



Dimension : Millimetres (Inches)

Features:

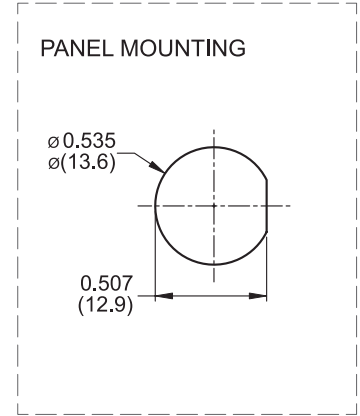
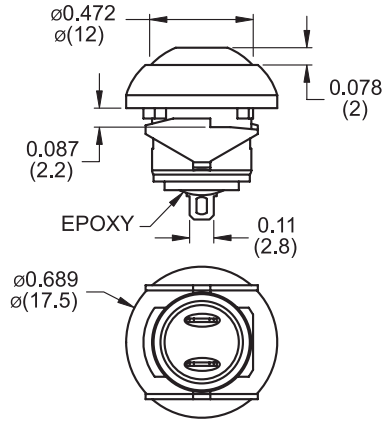
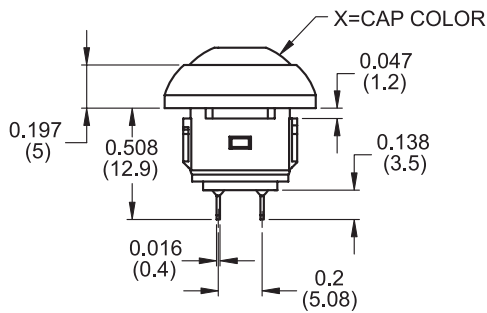
- Eight plunger colours
- Flat plunger top allowing marking
- Antirotation bushing
- New solder lug terminal

Newark.com/multicomp-pro
 Farnell.com/multicomp-pro
 Element14.com/multicomp-pro

multicomp PRO

Miniature Pushbutton Switches **multicomp** PRO

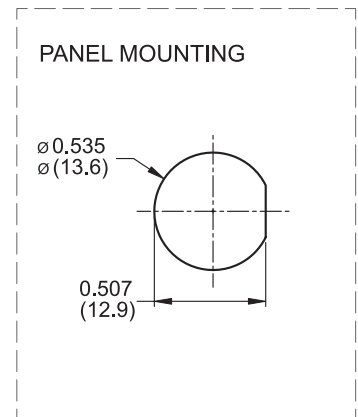
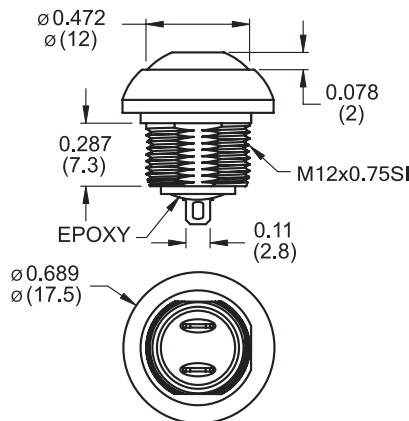
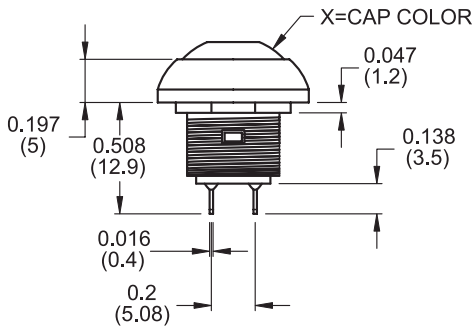
Snap-in Mounting



Panel Thickness : 0.8mm to 1.8mm

Dimension : Inches (Millimetres)

Mounting by Threaded Bushing



Panel Thickness : 1.5mm to 4mm

Dimension : Inches (Millimetres)

Soldering Processes:

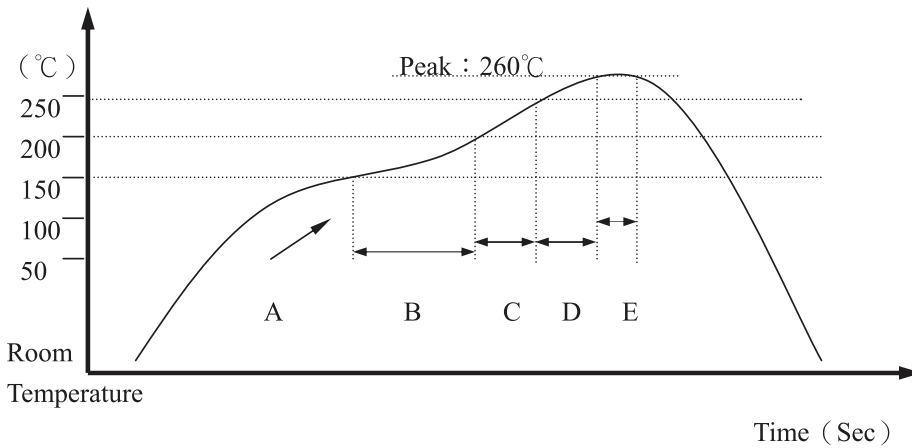
Manual soldering : Use soldering iron of 30 watts, controlled at 350°C approximately 5 seconds while applying solder

Wave soldering : Recommended soldering temperature : 260 ±5°C
Duration of solder Immersion : 5 ±1 seconds
(PCB is 1.6 mm in thickness)

Soldering : Vapor phase

Temperature Profile

Zone	Room Temperature (°C)	Time (Seconds)
Pre-heat (A)	150	Minimum 120s
Soak (B)	180 to 200	Minimum 150s
Peak (C)	200 to 235	Minimum 30s
Peak (D)	235 to 260	Minimum 40s
Peak (E)	260	Maximum 10s



Part Number Table

Description	Part Number
Switch, Push Button, SPST, IP67, Black	MCPAS6B2M1CE2

Important Notice : This data sheet and its contents (the "Information") belong to the members of the AVNET group of companies (the "Group") or are licensed to it. No licence is granted for the use of it other than for information purposes in connection with the products to which it relates. No licence of any intellectual property rights is granted. The Information is subject to change without notice and replaces all data sheets previously supplied. The Information supplied is believed to be accurate but the Group assumes no responsibility for its accuracy or completeness, any error in or omission from it or for any use made of it. Users of this data sheet should check for themselves the Information and the suitability of the products for their purpose and not make any assumptions based on information included or omitted. Liability for loss or damage resulting from any reliance on the Information or use of it (including liability resulting from negligence or where the Group was aware of the possibility of such loss or damage arising) is excluded. This will not operate to limit or restrict the Group's liability for death or personal injury resulting from its negligence. Multicomp Pro is the registered trademark of Premier Farnell Limited 2019.