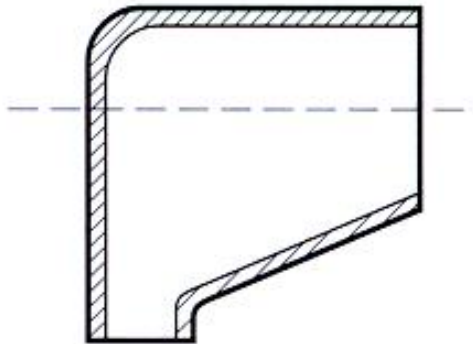


Datasheet

Flag Receptacle Insulating Sleeve

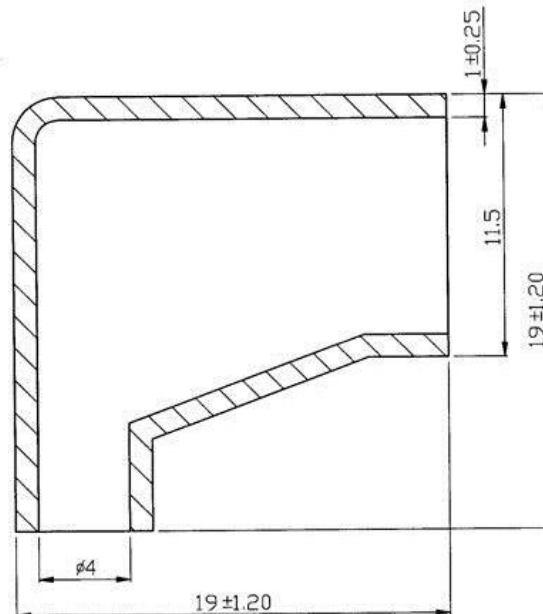
RS Stock number [488-1342](#)



Specifications:

A 90° 6.3mm push on receptacle accepting wires 0.75 to 2.3mm²

Dimensions:



Units: mm