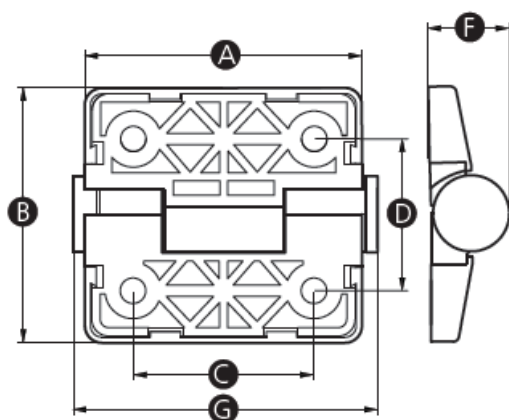


Datasheet

RS Pro Free Swinging or Detent Plastic Hinge with Caps

RS Stock No: 124-1910



Material

High impact resistant thermoplastic

Finish

Matt

Colour

Black

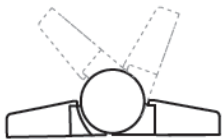
Function

Multiple detents allow doors to be held open at three predetermined opening angle. Secure, snap-on caps fully conceal mounting screws.

Part No.	A	B	C	D	E	F	G	Hole size	Detent	Detent angle
1241910	49	45	32	27	-	14	54	4.5	None	-
1241911	49	45	32	27	-	14	54	4.5	Triple	0, 120, 170

Part No.	Hinge positioning torque (Nm)	Screw	Radial load (N)	Axial load (N)	Recommended tightening torque (Nm)	Approx. shear force per screw (kN)
1241910	-	M4	150	150	0.75	0.12
1241911	0.8	M4	150	150	0.75	0.12

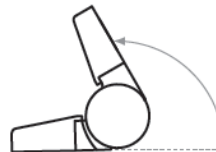
Detent angle



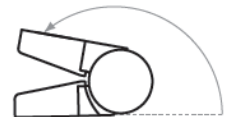
No detent / Free swinging



0°



120°



170°