

# RS PRO Photoelectric Sensor

RS Stock No.: 202-4437, 202-4438, 202-4439,  
202-4440

## FEATURES

- Universal housing, an ideal replacement for a wide range of sensor types;
- IP67, suitable for harsh environments;
- One-click distance setting, accurate and fast;
- Suitable for the detection of high light objects and some transparent objects;
- NO and NC are switchable.
- Bracket Included: 33\*30\*14mm



RS Professionally Approved Products bring to you professional quality parts across all product categories. Our product range has been tested by engineers and provides a comparable quality to the leading brands without paying a premium price.

## Part Number Description

Part number	Sensing distance	Light source	Output	Connection
202-4438	4m (adjustable)	Red light (640nm)	NPN NO/NC	2m PVC cable
202-4439	4m (adjustable)	Red light (640nm)	PNP NO/NC	2m PVC cable
202-4437	4m (adjustable)	Red light (640nm)	NPN NO/NC	M8 connector
202-4440	4m (adjustable)	Red light (640nm)	PNP NO/NC	M8 connector

## General Specifications

<b>Detection Type</b>	Polarized retro reflection
<b>Rated distance</b>	4m
<b>Standard target</b>	TD-09A reflector
<b>Response Time</b>	≤1ms
<b>Indicator</b>	Green light: power, stable signal (Flashing means unstable signal) ; Yellow light: output, overload or short circuit (flash)
<b>Operating Temperature</b>	-25°C...55 °C
<b>Storage temperature</b>	-25°C...70 °C
<b>Anti-ambient light</b>	Anti-sunlight interference ≥ 10,000lux; Incandescent light interference ≥ 3,000lux

## Electrical Specifications

<b>Operating Supply Voltage</b>	10...30 VDC
<b>Current Consumption</b>	≤25mA
<b>Voltage Drop</b>	≤1V
<b>Load Current</b>	≤200mA
<b>Reverse Polarity Protection</b>	YES
<b>Overload Protection</b>	YES
<b>Short Circuit Protection</b>	YES

## Mechanical Specifications

<b>Body Style</b>	Block
<b>Mounting Type</b>	Screw
<b>Housing Material</b>	PC+ABS
<b>Lens/Face Material</b>	PMMA
<b>Dimensions</b>	32.5*20*10.6mm
<b>Gross Weight</b>	65g (connector type) / 100g (cable type)

## Protection Category

IP Rating	IP67
-----------	------

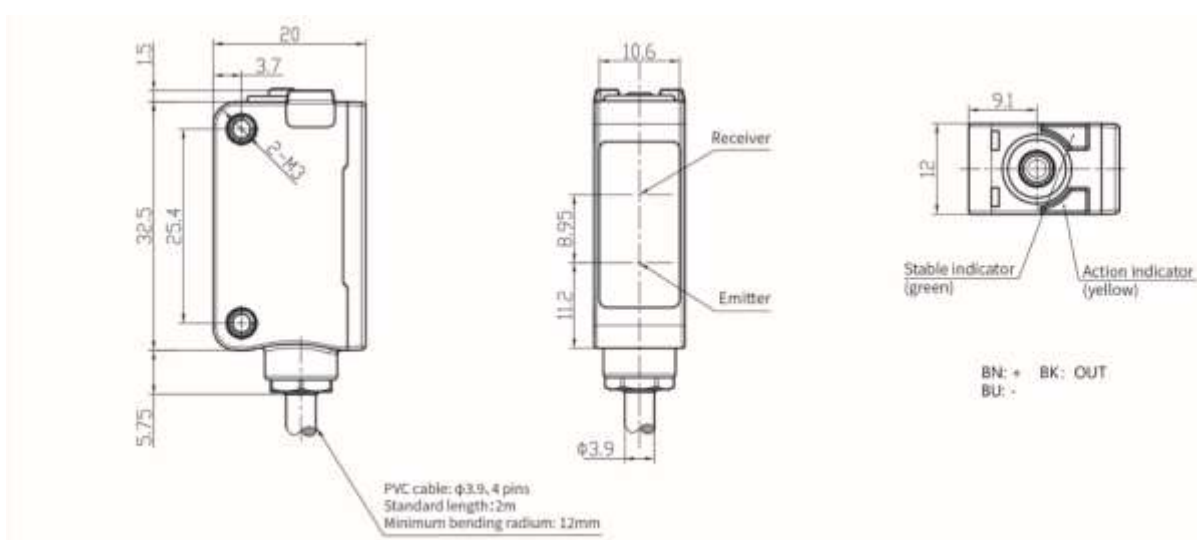
## Additional Information

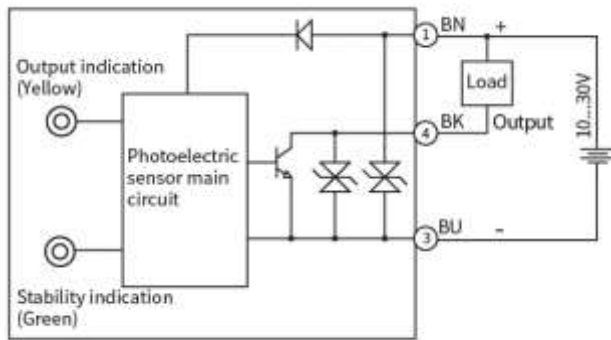
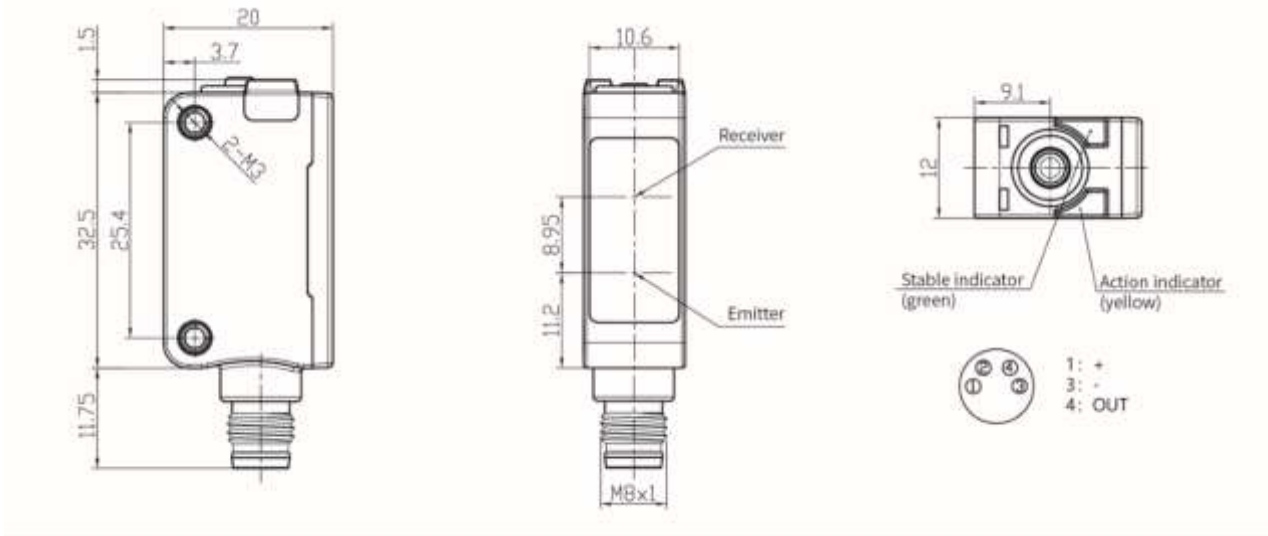
Custom Tariff Number/HS code	903180
NO/NC adjustment	Press the button for 5...8s, when the yellow and green light flash synchronously at 2Hz, leave the button and finish NO/NC adjustment.
Distance adjustment	Press the button for 2...5s, when the yellow and green light flash synchronously at 4Hz, leave the button and finish the distance setting; If the yellow and green light flash asynchronously @8Hz for 3s, setting fails and the product distance goes to the maximum.

## Approvals

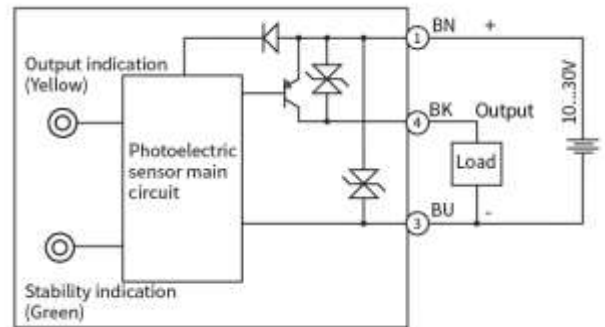
Compliance/Certifications	CE
---------------------------	----

## Dimension and Wiring





NPN



PNP