

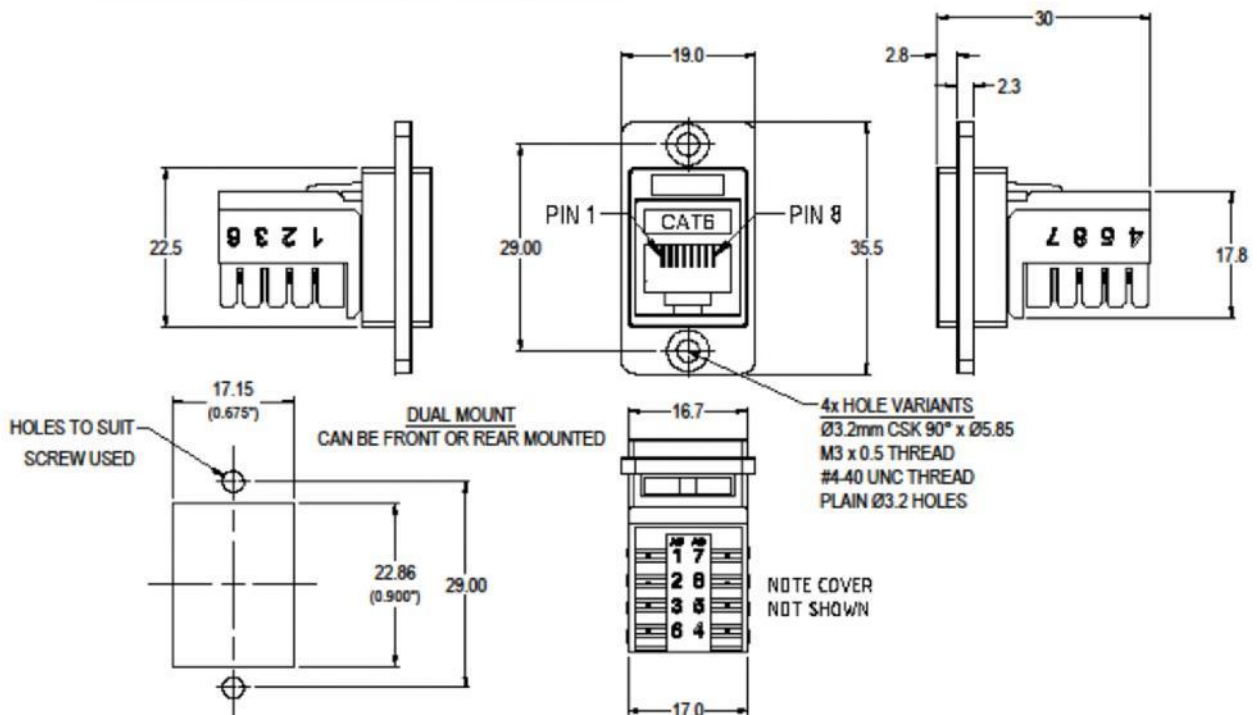


ENGLISH

## Datasheet

# RS PRO SLIM DUAL MOUNTING METAL FRAME CAT6 IDC FT CONNECTOR

Stock No: 2354772, 2354773



Performance:  
1. T568A + T568B wiring.

[rspro.com](http://rspro.com)

Material:  
1. RJ45/IDC/Cover: PC  
2. RJ45: Phosphor Bronze, gold plated  
3. IDC: Phosphor Bronze, nickel plated  
4. PCB: FR4  
5. Frame: Diecast, Nickel or Black plated

### Features & Benefits:

- Fits standard rectangular cutout.
- Front or rear mounting through the panel.
- Various hole mounting options
- No soldering or punch termination. Use standard cable for each connector style.
- Low rear profile

### General:

Please note: Functionality is affected by cable quality, length and cable wiring configuration.

### Other models available:

#### Part No.

**2354772** - DUALSLIM FT Cat6 IDC Nickel frame, CSK holes

**2354773** - DUALSLIM FT Cat6 IDC Black metal frame, CSK holes

### Applications

- Space and aviation
- Education
- Industrial
- Broadcast and A/V
- Transportation
- Medical
- Vending and gaming

