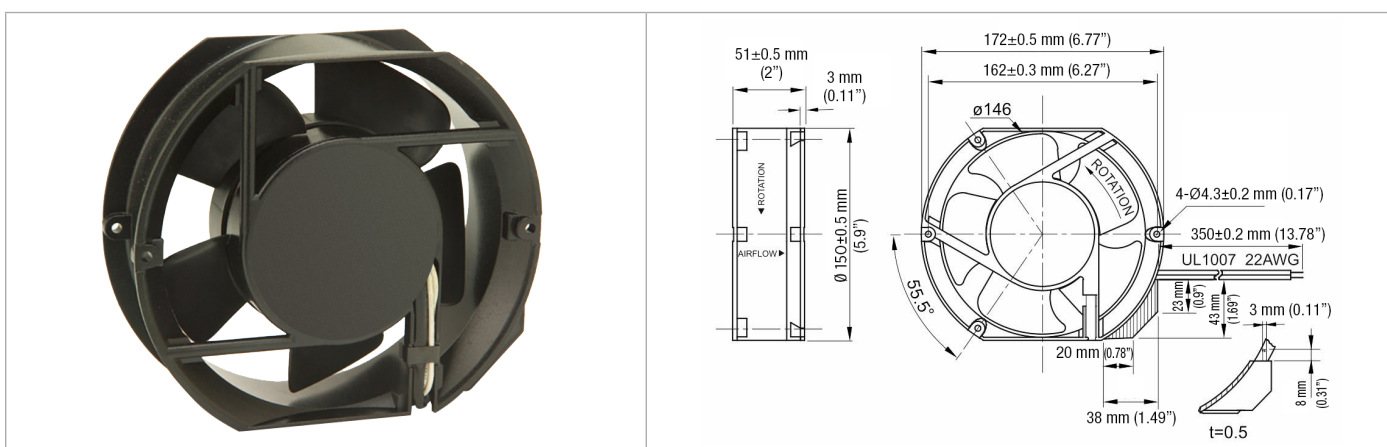




Datasheet

RS PRO AC AXIAL FAN 230VAC 172×150×51mm IP55

Stock number: 175-9789



Frame	Diecast Aluminum	<p><u>Operating Temperature</u> -20C ~ +70C Storage Temp -30C ~ +80C</p> <p><u>Life Expectancy</u> >40,000 hours (L10, 40C)</p> <p><u>Environmental Protection</u> Weight: ~ 0.86 kg (1.9 lbs.) m2</p>	
Impeller	PBT, UL94V-0 plastic		
Connection	Terminals		
Motor	AC Capacitor drive, Thermally protected		
Bearing System	Dual ball bearing		
Insulation Resistance	>100M ohm between lead-wire and frame (500VDC)		
Dielectric Strength	1 min at 1500 VAC, 50/60Hz		

Model Number	175-9789
Nominal Voltage	230 VAC
Voltage Range	207 - 253 VAC
Rated Current	0.12 A
Locked Current	0.19 A
Rated Power	29 W
Rated Speed (RPM)	3400
Airflow - CFM	226
Noise Level - (dB)	58
Max. Static Pressure	0.79" H ₂ O