



ENGLISH

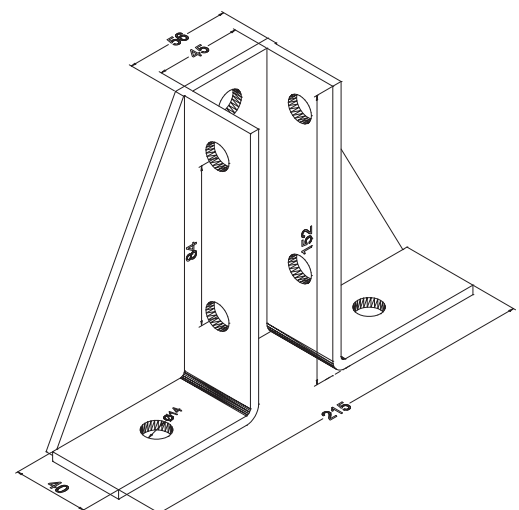
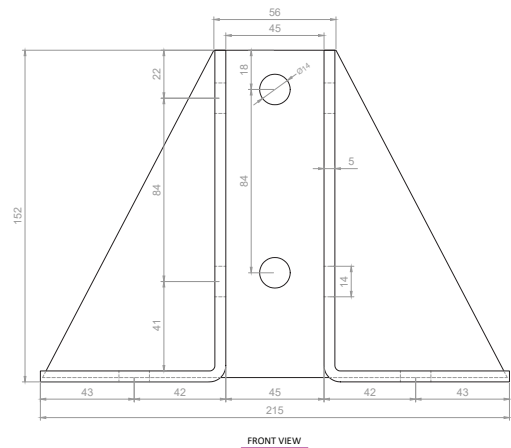
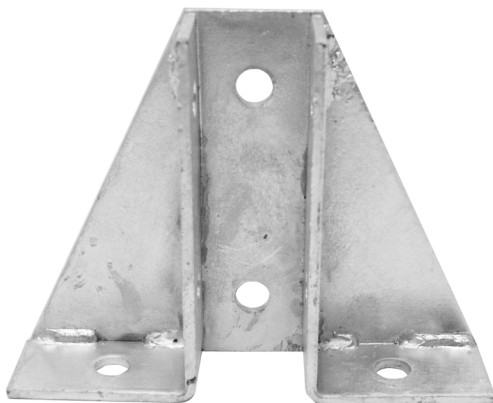
Datasheet

Gusset Base Plate Hot Dipped Galvanised

RS Stock No **1766926**

Size **41mm**

Can be used when erecting Channel/Strut vertically, and a stable fixing to the floor is required. Base plate must be secured to the floor using the correct fixings



Please view our full range listing below

RS Stock No Size (mm)

1766926

41mm