



QC80 QC80F

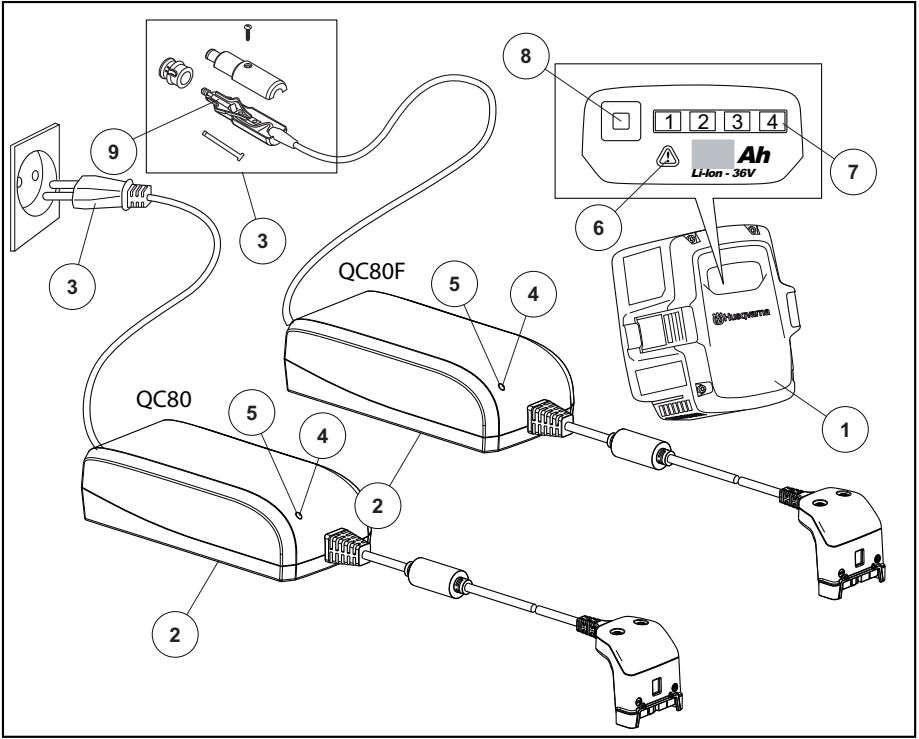
GB Operator's manual 3-6
SE Bruksanvisning 7-9
DK Brugsanvisning 10-13
NO Bruksanvisning 14-17
FI Käyttöohje 18-20
DE Bedienungsanweisung 21-24
FR Manuel d'utilisation 25-28
NL Gebruiksaanwijzing 29-32
ES Manual de instrucciones 33-36
PT Instruções para o uso 37-40
IT Istruzioni per l'uso 41-44
EE Käsitsemisõpetus 45-47
LT Naudojimosi instrukcijos 48-51
LV Lietošanas pamācība 52-55
CZ Návod k použití 56-59

SK Návod na obsluhu 60-63
PL Instrukcja obsługi 64-67
HU Használati utasítás 68-71
HR Priručnik 72-75
SI Navodila za uporabo 76-79
RU Руководство по эксплуатации 80-84
BG Ръководство за експлоатация 85-88
UA Посібник користувача 89-92
GR Οδηγίες χρήσεως 93-96
TR Kullanım kılavuzu 97-99
JP 取扱説明書 100-103
KO 사용자 설명서 104-107
CN 操作手册 108-111



EAC





BATTERY HANDLING

SAVE THESE INSTRUCTIONS

Key to symbols

Translation of the original Swedish operating instruction.

WARNING! Incorrect or careless use of a charger can turn it into a dangerous tool that can cause serious or even fatal injury. It is extremely important that you read and understand the contents of the operator's manual.



Please read the operator's manual carefully and make sure you understand the instructions before using the machine.



This product is in accordance with applicable EC directives.



Symbols on the product or its packaging indicate that this product cannot be handled as domestic waste. This product must be deposited at an appropriate recycling facility.



Do not leave or store the battery charger outdoors in the rain or in wet conditions.



Use and store battery charger only indoors.



Battery and battery charger

This section describes the battery and battery charger safety for your battery product.

(1) to (9) refer to the figure on page 2.

Only use Husqvarna original batteries for Husqvarna products and only charge them in an original battery QC charger from Husqvarna. The batteries are software encrypted.

IMPORTANT SAFETY INSTRUCTIONS

Battery charger

The battery chargers, QC (2), are only used for charging of Husqvarna replacement batteries, (1). QC80F using the car's 12V outlet inside the car to recharge the battery.



WARNING! Minimise the risk of electric shock or short circuit as follows:

Do not try to dismantle the battery charger. Never connect the charger terminals to metal objects as this can short circuit the battery charger. Use approved and intact wall sockets.



WARNING! This machine produces an electromagnetic field during operation. This field may under some circumstances interfere with active or passive medical implants. To reduce the risk of serious or fatal injury, we recommend persons with medical implants to consult their physician and the medical implant manufacturer before operating this machine. Do not use product when a thunderstorm is approaching.

IMPORTANT! Depending on size, age and health of the car battery, precaution should be taken to avoid the risk of draining the car battery. Never leave the battery charger plugged and working for more than 5 hours straight without running the car. Make sure to recharge the car battery.

- Inspect the product for damage before use.
- Regularly check that the battery charger connection wire is intact and that there are no cracks in it.
- Never carry the battery charger using the cord and never pull out the plug by pulling the cord.
- Keep all cables and extension leads away from water, oil and sharp edges. Make sure the cable is not jammed in doors, fences or the like. Otherwise it can cause the charger to become live.
- Never clean the battery or the battery charger with water.
- The battery charger can be used by children aged from 8 years and above and persons with reduced physical, sensory, or mental capabilities or lack of experience and knowledge if they have been given supervision or instruction concerning use of the appliance in a safe way and understand the hazards involved. Children shall not play with the appliance.

BATTERY HANDLING

Cleaning and user maintenance shall not be made by children without supervision.

- When charging, the charger must be placed in a well ventilated area and under a roof to keep out moisture. Use and store battery charger only indoors.
- Don't let your children play with the charger. There is a risk of suffocation on small parts of the battery charger is swallowed.
- Don't leave the adapter for the motor vehicle jack unmounted.
- Unplug the charger after usage at the 12V plug.
- Unplug the charger from the vehicle, if not use.
- Don't use the charger while being under influence of medicine, drugs, alcohol, or while being exhausted, tired or ill.



WARNING! Do not charge non-rechargeable batteries in the battery charger or use them in the machine.



WARNING! Do not use the battery charger close to corrosive or flammable materials. Do not cover the battery charger. Pull out the plug to the battery charger in the event of smoke or fire. Risk of fire.

- Use the battery charger only when the surrounding temperature is between 5 °C and 40 °C. Use the charger in an environment which is well ventilated, dry and free from dust.

Do not use:

- a faulty or damaged battery charger
- the battery in the battery charger outdoors.

Do not charge:

- or never use a faulty, damaged or deformed battery.
- the battery in the rain or in wet conditions.
- the battery in direct sunlight.

Operation



WARNING! Risk of electric shock and short circuiting. Use approved and intact wall sockets. Make sure that the cable is not damaged. Replace cable if it appears to be damaged in any way.

Connect the battery charger

- Use or store the battery charger in such way so that the risk of stumbling on the cable does not occur.
- Connect the battery charger to the voltage and frequency specified on the rating plate.
- Use provided cable with specific coil

- Always use residual current device (RCD) when using battery charger.

QC80

Put the electric plug in a socket-outlet. The LED on the battery charger flashes green once. (4)

QC80F

Put the electric plug in a 12V outlet. The LED on the battery charger flashes green once. (4)

Connect the battery to the battery charger.

The battery must be charged before using it the first time. The battery is only 30% charged when delivered.

NOTE!

During charging monitor the charging process.

- Connect the battery to the battery charger. (1), (2)
- The green charging light on the charger is lit when the battery is connected to the battery charger. The battery will not be charged if the battery temperature is over 50 °C. (4)
- When all LEDs are lit the battery is fully charged. (7)
- When the battery is recharged the battery charger will stop charging. (switch to stand by). There are no restrictions on how long a battery can remain in the charger. Recommended is to remove the battery from the battery charger when the battery is recharged.
- Pull out the plug. Never jerk the power supply cable to disconnect it from the wall socket. (3)

Transport and storage

- The Charger and the battery must be secured during transport. (Applies only QC80F)
- Store the equipment in a lockable area so that it is out of reach of children and unauthorized persons.
- Store the battery and the battery charger in a dry, moisture-free and frost-free space.
- Store the battery charger where the temperature is between 5 °C and 45 °C and never in direct sunlight.
- Store the battery charger only in an enclosed and dry space.
- Be sure to store the battery separate from the battery charger.

Maintenance

Make sure the battery and battery charger are clean and that the terminals on the battery and the battery charger are always clean and dry before the battery is placed in the battery charger.

Keep the battery guide tracks clean. Clean plastic parts with a clean and dry cloth.

BATTERY HANDLING

Fault codes

Troubleshooting the battery and/or the battery charger during charging.

(5), (6), (9)

LED display (Applies only QC80F)	Possible faults	Possible action
Error LED is out / battery charger doesn't work	Blown fuse	Replace the blown fuse with a new one. Remove the screw and split the plug and change fuse.
Error LED flashing	Temperature deviation.	Use the battery charger only when the surrounding temperature is between 5 °C and 40 °C.
Error LED is lit	Cell difference too much (1V).	Contact your service agent.

- If the warning LED on the battery charger lights solid red, there is a fault with the charger. Send the charger to a Husqvarna service workshop. (5)

Disposal of the battery, battery charger and machine

Symbols on the product or its packaging indicate that this product cannot be handled as domestic waste. It must instead be submitted to an appropriate recycling station for the recovery of electrical and electronic equipment.

By ensuring that this product is taken care of correctly, you can help to counteract the potential negative impact on the environment and people that can otherwise result through the incorrect waste management of this product. For more detailed information about recycling this product, contact your municipality, your domestic waste service or the shop from where you purchased the product.

Technical data

Technical data		
Battery charger	QC80	QC80F
Mains Voltage, V	100-240	10-15
Power, W	100	95
Fuse, A		16

Battery	Cells (pcs)	Ah	Charging level	
			80%	100%
BLi10	10	2	50 min	70 min
BLi20	20	4	100 min	140 min
BLi80	10	2,1	50 min	70 min
BLi110	20	3	80 min	105 min
BLi150	20	4,2	110 min	140 min
BLi520x	70	14,4	7 hours	7.5 hours
BLi940x	90	26,1	13 hours	13.5 hours

EC Declaration of Conformity (Applies to Europe only)

Husqvarna AB, SE-561 82 Huskvarna, Sweden, tel: +46-36-146500, declares under sole responsibility that the battery chargers, Husqvarna Quick charger 80 from 2016's serial numbers and onwards (the year is clearly stated in plain text on the rating plate with subsequent serial number), are in conformity with the requirements of the COUNCIL'S DIRECTIVES

- of February 26, 2014 "relating to electromagnetic compatibility" **2014/30/EU**.

- of June 8, 2011 on the "restriction of use of certain hazardous substances" **2011/65/EU**.

- of February 26, 2014 "relating to electrical equipment designed for use within certain voltage limits" **2014/35/EU**.

The following standards have been applied:

EN 60335-1:2012, EN 60335-2-29:2004, EN 55014-1:2010, EN 55014-2:2009, EN 61000-3-2:2015, EN 55022:2011

Husqvarna 15 March 2016



Lars Roos, Development manager (Authorized representative for Husqvarna AB and responsible for technical documentation.)

BATTERY HANDLING

EC Declaration of Conformity (Applies to Europe only)

Husqvarna AB, SE-561 82 Huskvarna, Sweden, tel: +46-36-146500, declares under sole responsibility that the battery chargers, Husqvarna Quick Charger 80F from 2016's serial numbers and onwards (the year is clearly stated in plain text on the rating plate with subsequent serial number), are in conformity with the requirements of the COUNCIL'S DIRECTIVES

- of February 26, 2014 "relating to electromagnetic compatibility" **2014/30/EU**.

- of June 8, 2011 on the "restriction of use of certain hazardous substances" **2011/65/EU**.

- of February 26, 2014 "relating to electrical equipment designed for use within certain voltage limits" **2014/35/EU**.

The following standards have been applied:

EN 60950-1:2014; ECE R10 Rev. 4

Huskvarna 15 March 2016



Lars Roos, Development manager (Authorized representative for Husqvarna AB and responsible for technical documentation.)