

## FEATURES

- CANopen/DeviceNet
- Wire is un-terminated and partially stripped
- Cable length is 5m
- Insulation Resistance  $\geq 100 \text{ M}\Omega$
- Brass nickel plated coupling nut

# RS PRO M12 FEMALE RIGHT ANGLE CANopen/DeviceNet CONNECTOR ASSEMBLY 5 PIN 4 WIRE SHIELDED 5m BUS SYSTEM CABLE

RS Stock No.: 2067619



RS Professionally Approved Products bring to you professional quality parts across all product categories. Our product range has been tested by engineers and provides a comparable quality to the leading brands without paying a premium price.

## Product Description ATTRIBUTE 1

### M12 Single Ended Cable Assembly

RS PRO Bus System Cable Assemblies, M12 CANopen/DeviceNet to Free End

A range of CANopen/DeviceNet M12 bus system connector cable assemblies, angled M12 connector to free end connector. A-coded and compatible with CANopen and DeviceNet systems, M12 5 way connectors with PVC Purple shielded cable in a variety of lengths to suit many applications.

Operating temperature range -25 to +75 °C  
IP67 rated once mated.

#### Features and Benefits:

- Wire is un-terminated and partially stripped
- Insulation Resistance  $\geq 100 \text{ M}\Omega$
- Neoprene O-Ring
- Brass nickel plated coupling nut

## General Specifications

Rated Operational Voltage	60 V
Current Rating	4A
Insulation Resistance	$\geq 100 \text{ M}\Omega$
Temperature Range	-25°C ... +75°C
Coding	A-Coded

## Material Specifications

Grip Material	PU
Contact	Cu-Zn
Contact Plating	Gold Flash
Contact Carrier	Nylon 66
O-Ring	Neoprene
Grip Color	Black
Coupling Nut	Brass Nickel-Plated

## Cable Specifications

Cable Length-L	5 m
Cable Type	4 Core PVC CAN Bus Shielded Multi Strand
Sheath Color	Purple
Cross Section of Wire	2 x 0.25 sq. mm (DATA) 2 x 0.34 sq. mm (POWER)
No of Strands	7 (0.25 sq. mm) 7 (0.34 sq. mm)
Strands Diameter	0.205 ± 0.01 (0.25 sq. mm) 0.250 ± 0.01 (0.34 sq. mm)
Core Dia	1.25 mm (0.25 sq. mm) 1.30 mm (0.34 sq. mm)
Cable Dia	6.3 ± 0.3 mm
Cable Core Color	White, Blue (0.25 sq. mm) Red, Black (0.34 sq. mm)
Polyester Tape over individual pair	10X0.025 mm
Braiding Coverage (Min.)	65%
Termination	Partially Stripped

## Protection Category

Degree of Protection	IP67
----------------------	------

## Additional Information

Custom Tariff Number	85369090
----------------------	----------

## Approvals

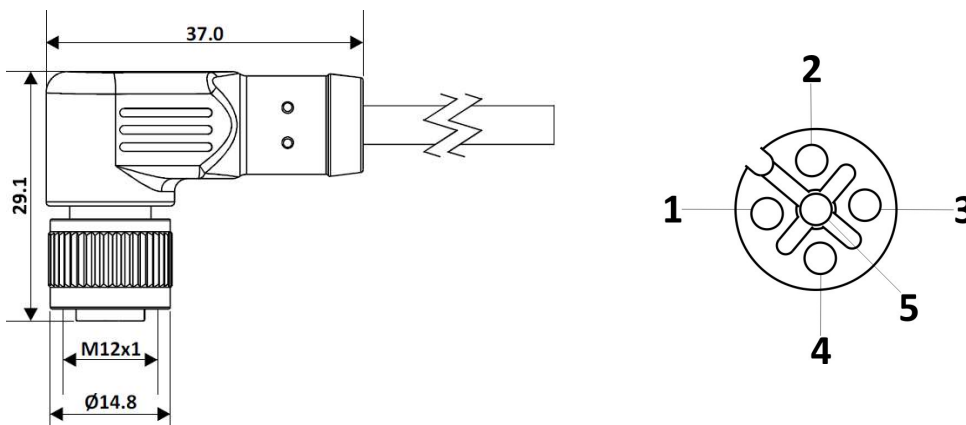
Standards Met	IEC 61076-2-101
---------------	-----------------

## Similar Products

Stock No.	Brand	Product Name	Attribute 1	Attribute 2
206-7618	RS PRO	M12 Female Right Angle CANopen/DeviceNet Connector Assembly 5 Pin 4 Wire Shielded 2m Bus System Cable	M12 CANopen/Device Net Cable Assembly Cable length 2m	M12 5-pin A-Coded Bus Cable System
206-7620	RS PRO	M12 Female Right Angle	M12 CANopen/Device	M12 5-pin A-Coded Bus Cable

		CANopen/DeviceNet Connector Assembly 5 Pin 4 Wire Shielded 10m Bus System Cable	Net Cable Assembly Cable length 10m	System
--	--	------------------------------------------------------------------------------------------	-------------------------------------------	--------

## Connection Diagrams / Assembly Diagrams / Illustrations / Accessories



All Dimensions are in mm.

### Circuit diagram

