



Datasheet

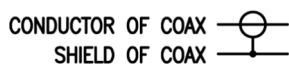
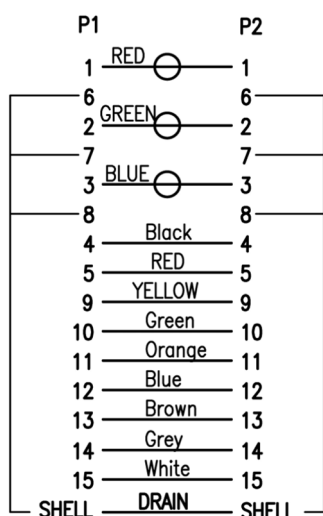
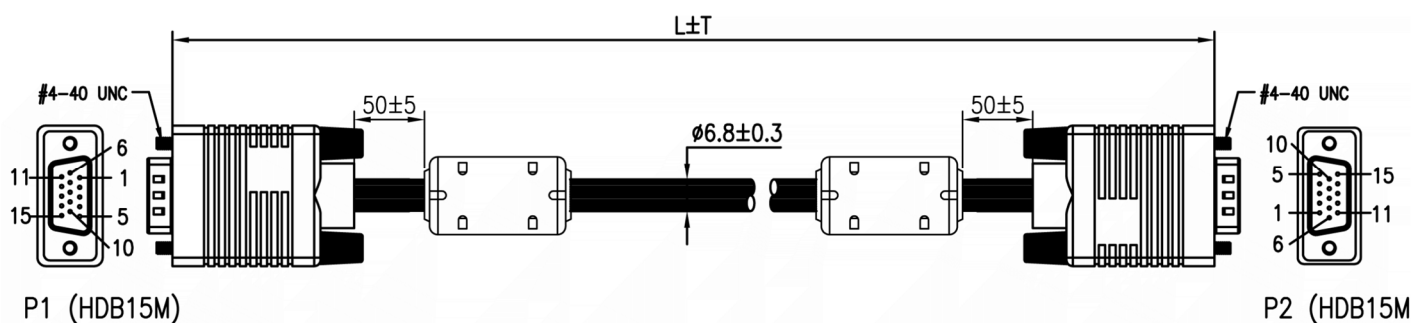
RS PRO 2m VGA/SVGA HD15 Male to Male Cable - Black

Stock number: 182-8523

EN

Our RS PRO 2 metre monitor cable comes with two high density 15 pin male connectors which is commonly known as a VGA or SVGA connector. It has all pins connected and ferrites at each end of the cable which help to cut out interference. The jacket and the connector hoods are made of black PVC.

The SVGA connector is one of the most common video connectors found on computers. SVGA is an analogue signal which is slowly being replaced by digital cables such as HDMI and Displayport.



1. MATERIAL

- 1.1 CABLE(28#): [(7/0.12BC+FPE)*3+7/0.12BC+AL]+7/0.12BC*9C+AL+7/0.12BC+B(96/0.12ALM)+PVC6.8 (BLACK).
- 1.2 HIGH DENSITY D-SUB 15 MALE: BLUE INSULATION, GOLD FLASH CONTACTS, NICKEL PLATED SHELL.
- 1.3 FERRITE CORE: $\phi 14.2 \times \phi 9.5 \times 28.5$ mm.
- 1.4 ALL HOOD: BLACK PVC.
- 1.5 THUMB SCREW(2.3*46MM) TO BE MOLDED BLACK PVC.
- 1.6 ALL COMPONENTS ARE RoHS COMPLIANT.

2. ELECTRICAL

- 2.1 100% OPEN AND SHORT TEST
- 2.2 HI-POT: DC200V/0.01S

3. PACKING

- 3.1 EACH CABLE IN A PE PACKAGE.

RoHS / REACH / CE

rspro.com