



Datasheet

RS PRO Hermetically Sealed Enclosures

Stock number: 2069105

EN

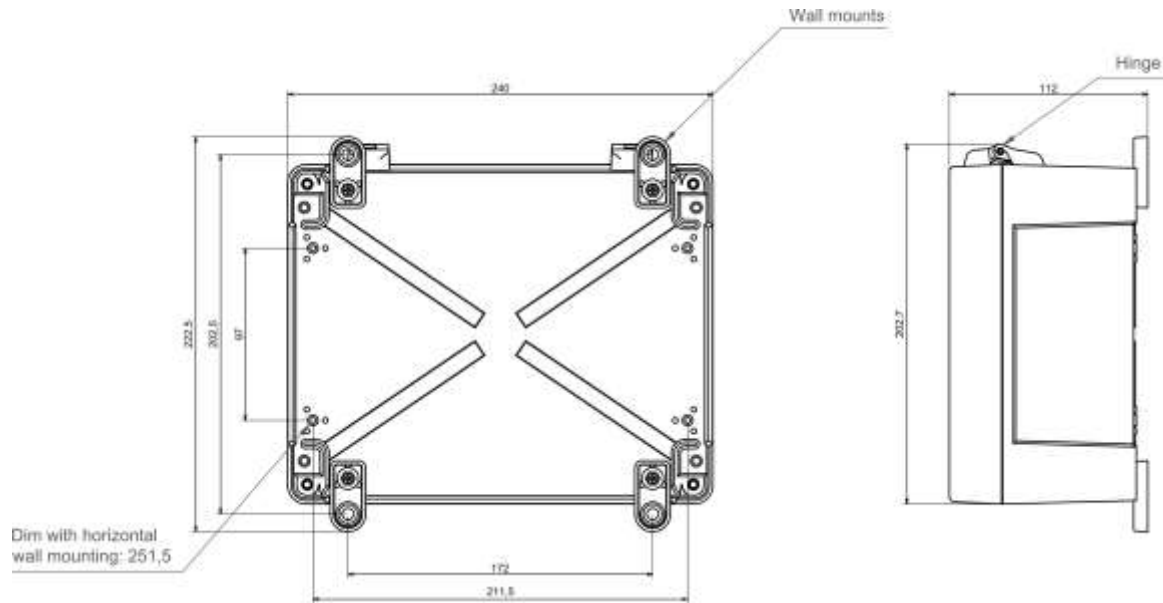


Product Details

Hermetic enclosure ideal for applications requiring protection against water ingress. Manufactured with polyurethane gasket that provides IP65 rating and threaded brass inserts to ensures reliable assembly of the enclosure. Enclosure is equipped with hinges with locks that prevents from accidental closure of the lid during maintenance. Mounting ears can be attached either on longer or shorter side.

Features and Benefits

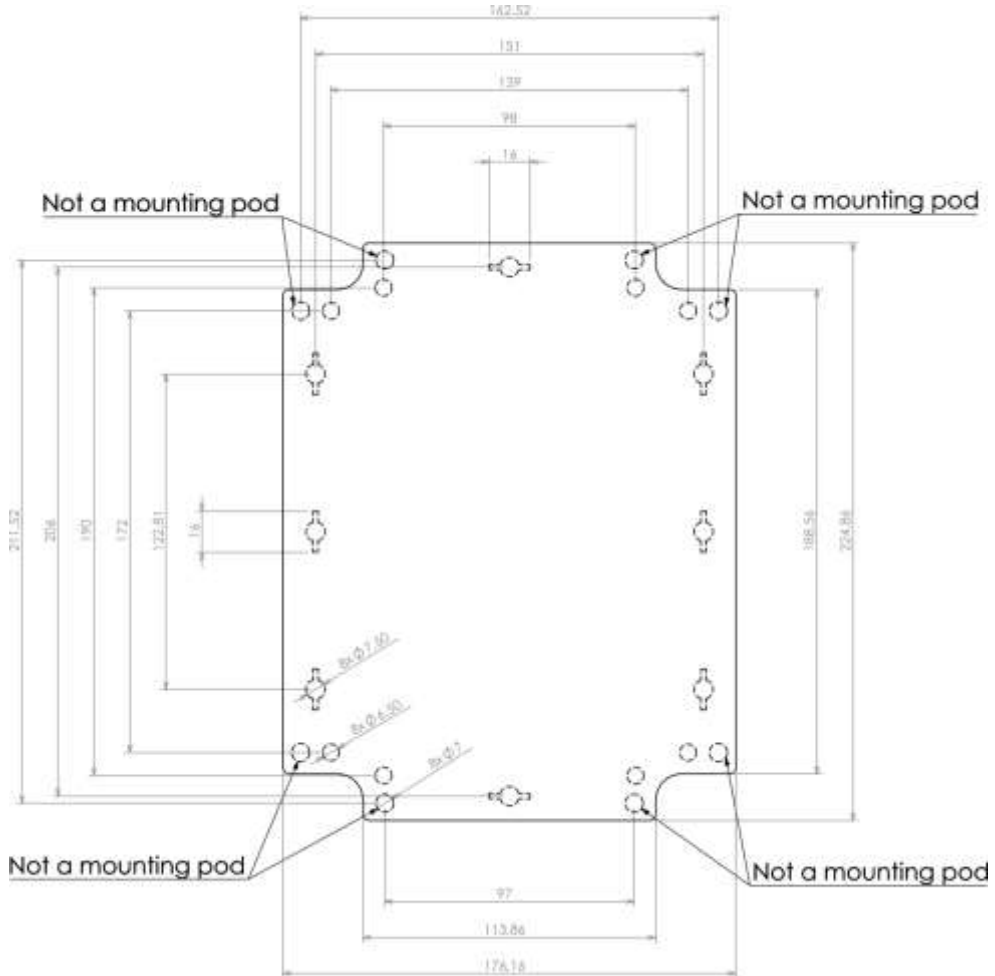
- Made of PC
- Available in light gray color with transparent lid
- Protection against liquids and solid objects: IP65 rating
- Manufactured with polyurethane gasket
- Threaded brass inserts for reliable assembly
- Equipped with hinges and wall mounts



Category	Hermetically sealed Enclosures
Type	Full
Material	PC
Variant	Hermetic with brass bushing (H TM)
Height	105.7 mm
Width	240.0 mm
Length	191.3 mm
Color	Lightgray (J)
Protection level	IP65
Standards Met	RoHS Compliant
Accessories	Screw 3/20: 4.0 pcs



Max PCB size



Dashed line shows outline of the mounting boss under PCB board
 Recommended mounting holes diameter $\phi 4$ mm