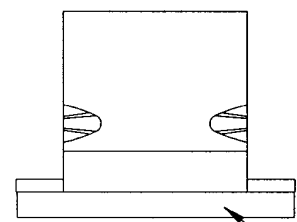
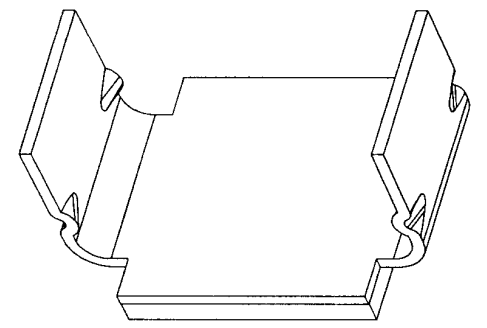
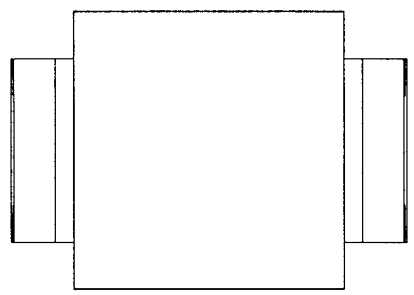
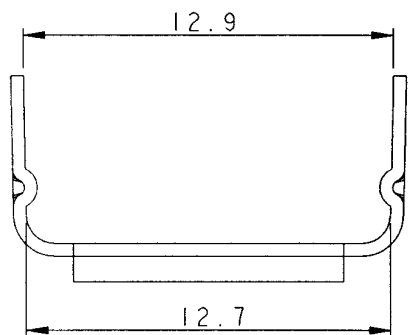
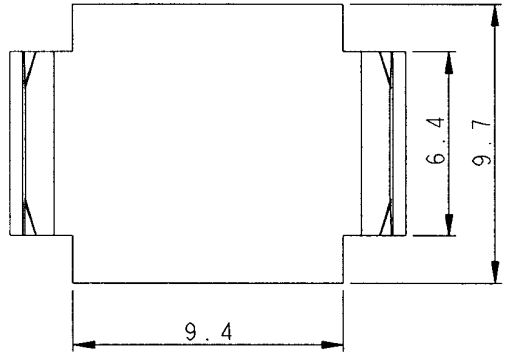


A	B	C	D	E	F	G	H
				REV	DESCRIPTION		DATE



Self-adhesive layer

- NOTE:
1. Stock No : 544134
  2. Clip Matl. : Aluminium
  3. Base Matl. : Polyethylene  
Pad-Self Adhesive.

Tolerance Unless Otherwise Specified	
0 > 6 mm ± 0.2	ANGLE
6 > 18 mm ± 0.3	0° > ° REF ±
18 > 30 mm ± 0.4	> ° REF ±
30 > 75 mm ± 0.5	* > ° REF ±

NAME	OPEN ARM CLIPS	UNIT	mm
------	----------------	------	----

