

LED PORTABLE WORK LIGHT



LGP SERIES



Application

Engine rooms, Low visibility areas, Decks, Warehouses, Yards

Material

Marine grade aluminium alloy with powder coating and polycarbonate body, diffuser and guard

Options

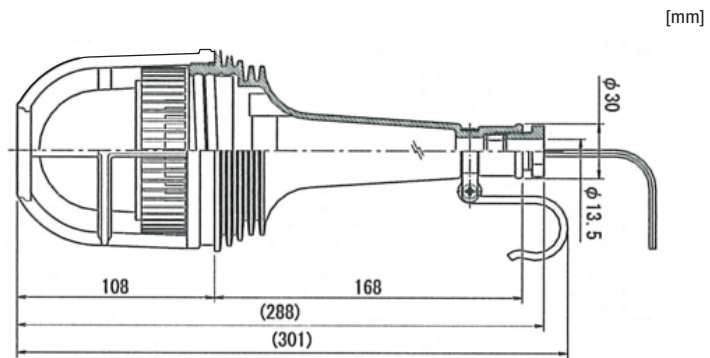
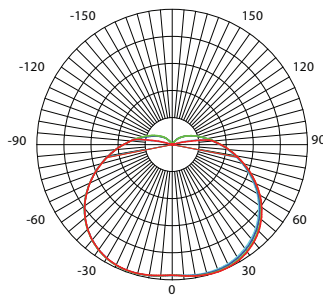
Polycarbonate clear guard (PC)
Polycarbonate red guard (PR)

Weight

1.0Kg

Key Features

- Complete solution with heat sink, driver and polycarbonate diffuser
- Triac dimming compatible (220-240VAC & 100V-120VAC only)
- Vibration-resistant
- Alternative to 100W incandescent bulb
- Energy savings of up to 90% compared to 100W incandescent bulb
- Long service life of 50,000 hours L70 @ 45°C (Ta)
- Safety, EMC and IEC compliance



TECHNICAL SPECIFICATIONS

IP 56

- PC Denotes : Polycarbonate clear guard
- PR Denotes : Polycarbonate red guard

Ideal Replacement:



| BH Code | Type | Main Voltage | Power | CCT | Beam Angle | Ambient Temp (Ta) | System Lumen |
|--------------|--------|----------------|-------|-------|------------|-------------------|--------------|
| LGP13A225KPC | LGP-13 | 220V - 240V AC | 13W | 5000K | 160° | -40°C ~ +45°C | 900lm |
| LGP12A115KPC | LGP-12 | 100V - 120V AC | 12W | 5000K | 160° | -40°C ~ +45°C | 900lm |
| LGP10D245KPC | LGP-10 | 24V DC | 10W | 5000K | 160° | -40°C ~ +45°C | 950lm |
| LGP10D245KPR | LGP-10 | 24V DC | 10W | 5000K | 160° | -40°C ~ +45°C | 950lm |

Also available in other CCT.

Due to our continuous development and product improvement policy, we reserve the rights to revise the specifications of all products without prior notice.

