



Datasheet

RS PRO Enclosures With side panels

Stock number: 1920805

EN

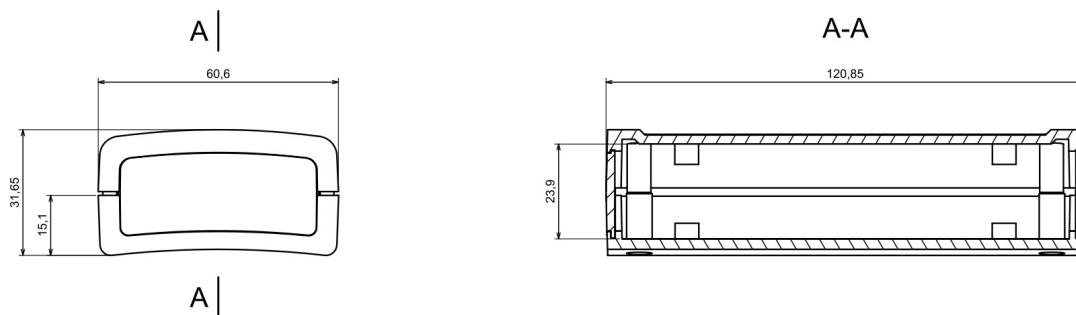


Product Details

Enclosure with side panels is made of black ABS. The enclosure has front and rear panel it provides IP54 protection rating it is ideal for applications that doesn't require hermetic seal.

Features and Benefits

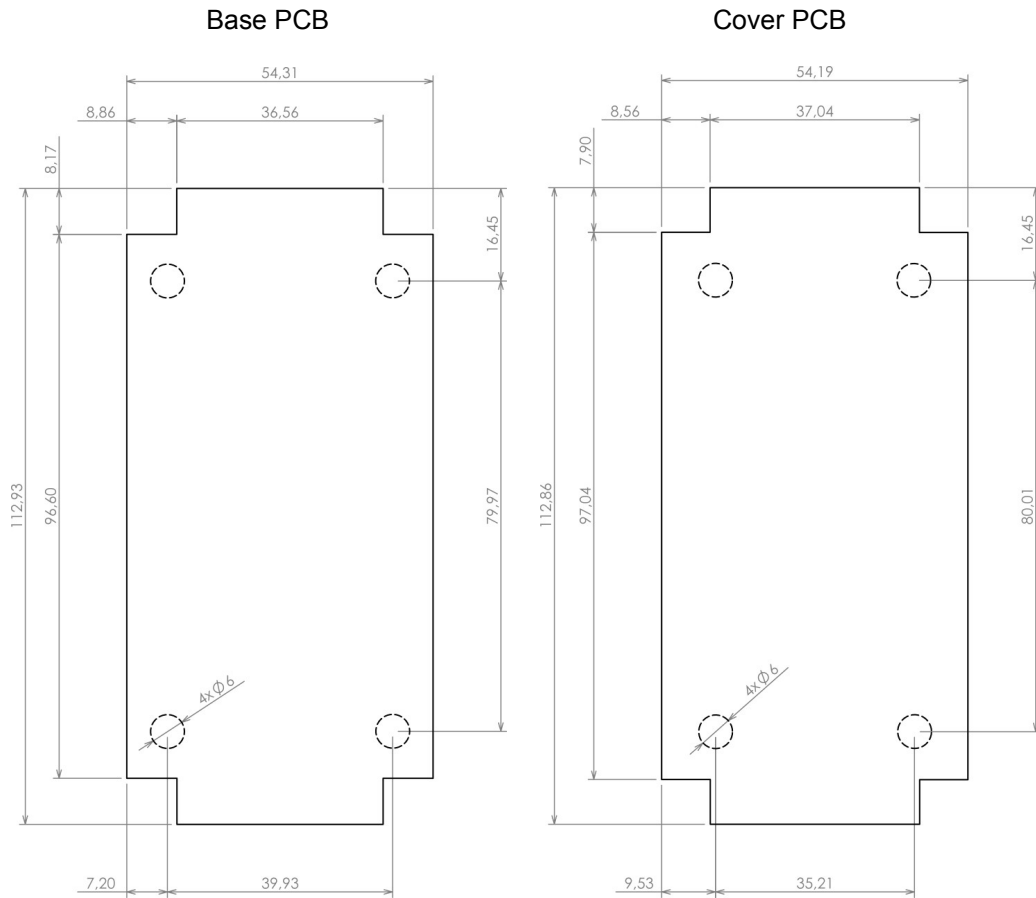
- Made of ABS
- Available in black color
- Protection against liquids and solid objects: IP54 rating
- Shock protection level: IK07 rating
- Side panels for easy customization
- Supplied with four screws for assembly



Category	Enclosures With side panels
Type	Full
Material	ABS
Variant	Without gasket
Height	31.1 mm
Width	60.7 mm
Length	120.8 mm
Color	Black
Protection level	IP54
Shock protection level	IK07
Standards Met	RoHS Compliant
Accessories	Screw 3/25: 4.0 pcs
Certificate number	CE/031/18



Max PCB size



Dashed line shows outline of the mounting boss under PCB board
Recommended mounting holes diameter $\phi 3,5\text{mm}$
All dimensions are given within $\pm 0,5\text{mm}$ tolerance