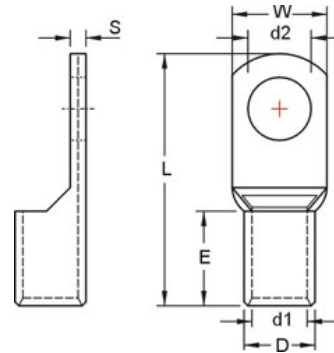


Datasheet

RS Pro Non-Insulated Copper Tubular Lugs (TL Series)

Stock Number: 125-1963



WIRE RANGE A.W.G. / mm ²	ITEM NO.	STUID SIZE		DIMENSION inch(mm)						Q'TY BOX
			d2	W	d1	D	L	E	S	
1/0 A.W.G.	TL50-10	3/8	10.5	18.5	10.0	13.0	44.5	18.0	2.9	100
50 mm ²										

Maximum Electric Current:

A.W.G.	1/0
AMP.	230

Terminal Material: Copper