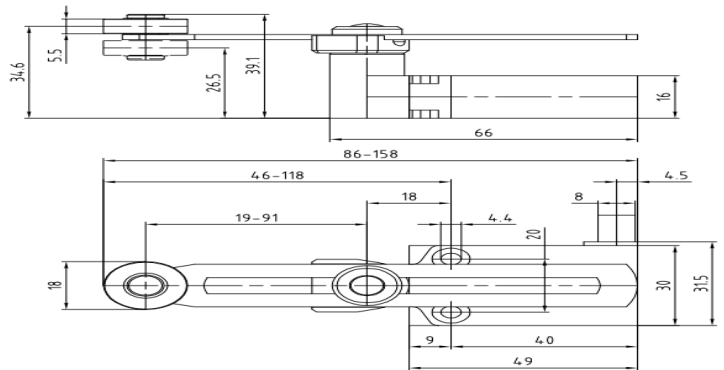
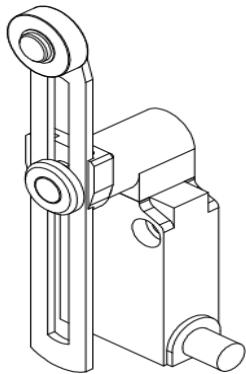


Datasheet

Limit Switch

RS Stock number 902-6935



Description:

Pre-wired, Metal Casing IP67, 30mm width
 PVC Cable 5x0.75mm², 1mt length
 Adjustable lever with Ø18mm nylon roller
 Z : Snap action contacts (1NO+1NC)

Specification:

Standards		Metal Casing
Certifications - Approvals		Devices conform with international IEC 947-5-1 and European EN 60 947-5-1 standards
Air temperature near the device		UL (upon request) - IMQ
- during operation	°C	- 25 ... + 70
- for storage	°C	- 40 ... + 70
Mounting positions		All positions are authorized
Protection against electrical shocks (according to IEC 536)		Class I
Degree of protection (according to IEC 529 and EN 60 529)		IP 67
Degree of protection (according to UL50)		Type 4 - 4X - 6 enclosure ("outdoor use - raintight - watertight corrosion resistant")
Rated insulation voltage U _i		400 V (degree of pollution 3) (250 V for M12 connector) B 300, R 300
Conventional free air thermal current I _{th}		10 (4A for M12 connector)
(according to IEC 947-5-1 and EN 60 947-5-1) θ < 40 °C		
Short-circuit protection		10 (4A for M12 connector)
U _e < 500 V a.c. - gG (gI) type fuses		
Rated operational current		10 (4A for M12 connector)
I _e / AC-15 (according to IEC 947-5-1)	24 V - 50/60 Hz	A
	240 V - 50/60 Hz	A
I _e / DC-13 (according to IEC 947-5-1)	24 V - d.c.	A
	125 V - d.c.	A
	250 V - d.c.	A
		A
Switching frequency		Cycles/h 3600
Load factor		0.5
Resistance between contacts		mΩ < 25
Mechanical durability		10 Millions of operations

For the complete list of approved products contact our technical department.

IMQ listed values