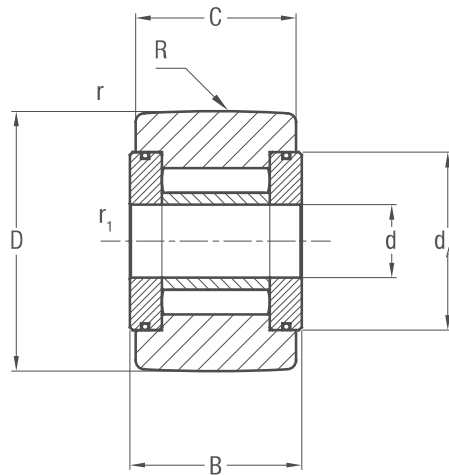


# SMALL CAM ROLLERS WITHOUT STUD

## FP

# 3.5

Full complement needle followers  
with outer diameter from 10 to 15mm



∅ outer D mm	Designation <sup>1)</sup>	d <sup>2)</sup> mm	B mm	C mm	d <sub>A</sub> mm	r mm	r <sub>1</sub> mm	R <sup>3)</sup> mm
	FP, FPL							
10	3 10	3	8.7	8	8.5	0.2	0.15	130
11	3 11 <sup>4)</sup>	3	8.7	8	8.5	0.2	0.15	130
12	4 12	4	9.7	9	9.9	0.2	0.15	130
13	4 13 <sup>4)</sup>	4	9.7	9	9.9	0.2	0.15	130
14	4 14 <sup>4)</sup>	4	10.2	9	11.8	0.3	0.15	130
15	4 15	4	10.2	9	11.8	0.3	0.15	130

1) Designation

FP outer convex ring

FPL outer cylindrical ring

2) Diameter of the pivot to insert in the recommended hole: h5

3) Version FP convex radius

4) Product available on request