

Datasheet

RS PRO RS-H10A Heavy Duty Housing



The RS PRO Heavy-Duty Connector series is a full range of heavy-duty inserts, housings, crimps and accessories. The housing is produced from corrosion resistant, powder coated, die cast Aluminium with locking levers made from galvanized Iron. These are available in standard or tall variations with both single and double locking options and offer IP65 protection. Created for applications that are subjected to harsh environments or where high vibration can cause standard connectors to fail makes these connectors ideal for food & beverage manufacturing, packaging machines, conveyor belt systems, railway, oil & gas processing and other industrial automation. The entire range of connectors are RoHS compliant and as with all RS PRO products, offer exceptional value for money.

Features & Benefits:

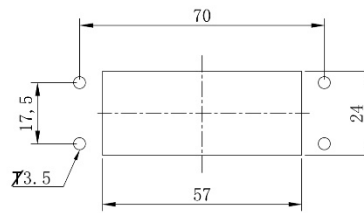
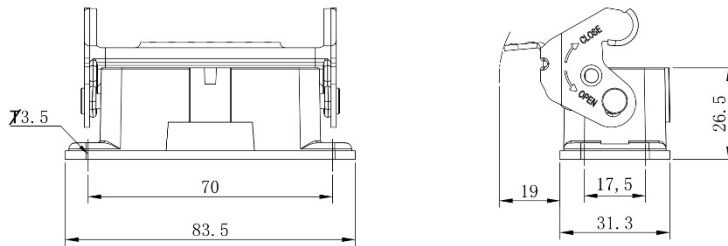
- Aluminium Die Cast Housing
- Powder Coated Surface
- IP65
- For use with PG or M style Cable Glands
- Fits RS PRO Heavy Duty Inserts

Quality Standards

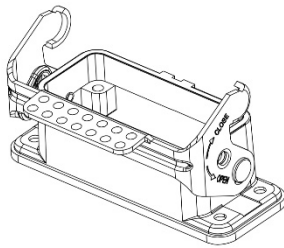


Dimensional line drawings

Bulkhead Mount 1 Locking Lever 208-4711



Panel cut out

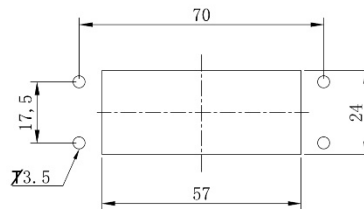
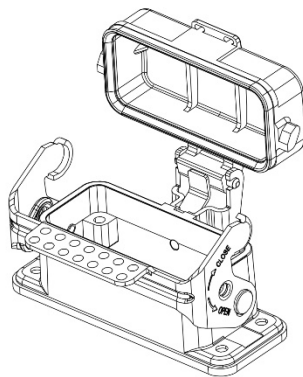
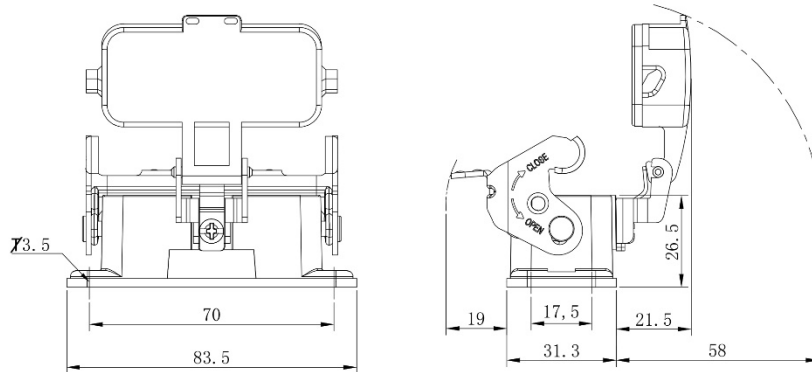


Technical specification:

- Material: Aluminium die-cast
- Surface: powder-coated
- Colour: (grey)
- Temperature range: -40°C - +125°C
- Degree of Protection: IP65
(acc.to IEC 60529 for coupled connector)
- Locking element:
 - locking type: single locking latch
 - material: metal galvanized/nickel plating
- Cable entry: bottom entry
- Hoods/Housings sealing: NBR

Dimensional line drawings

Bulkhead Mount 1 Locking Lever with Plastic Cover 208-4712



Panel cut out

Technical specification:

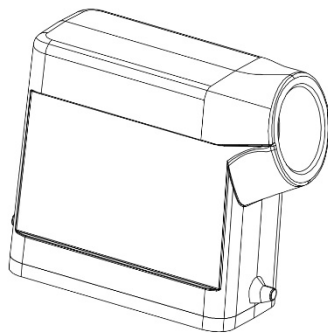
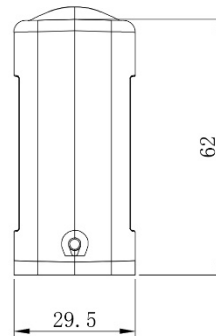
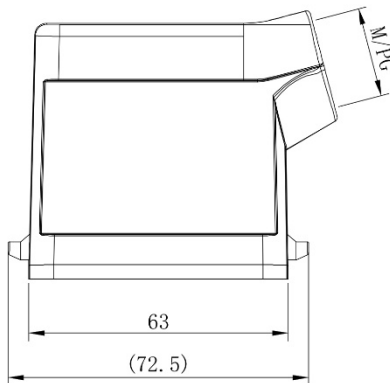
- Material: Aluminium die-cast
- Material, cover: PC
- Surface: powder-coated
- Colour: (grey)
- Temperature range: -40°C - +125°C
- Degree of Protection: IP65
(acc.to IEC 60529 for coupled connector)
- Locking element:
 - locking type: single locking latch
 - material: metal galvanized/nickel plating
- Cable entry: bottom entry
- Hoods/Housings sealing: NBR

Dimensional line drawings

Side Entry Hood 2 Locking Points

M20 = 208-4713

PG16 = 208-4714



Technical specification:

- Material: Aluminium die-cast
- Surface: powder-coated
- Colour: (grey)
- Temperature range:
 - 40°C - +125°C
- Degree of Protection: IP65
(acc.to IEC 60529 for coupled connector)
- Cable entry: side entry
- No. of cable entries: 1
- Thread size: M/PG
- Hoods/Housings sealing: NBR

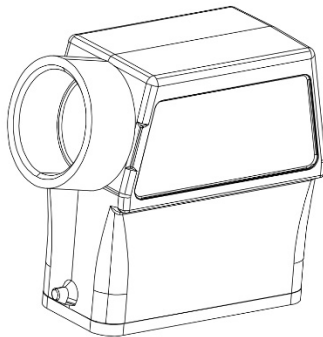
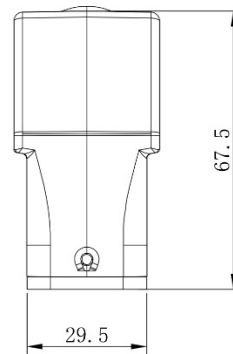
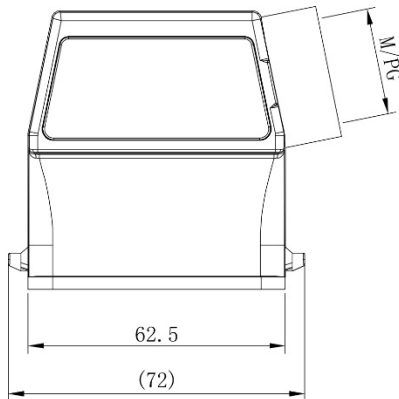
Dimensional line drawings

Side Entry High Hood 2 Locking Points

M25 = 208-4715

PG16 = 208-4716

PG21 = 208-4717



Technical specification:

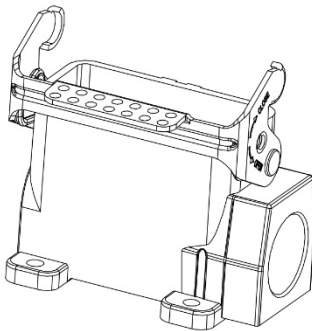
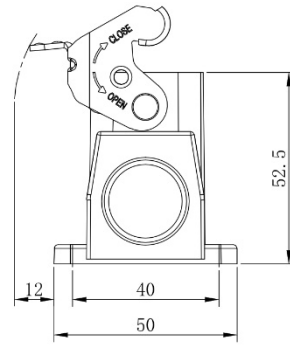
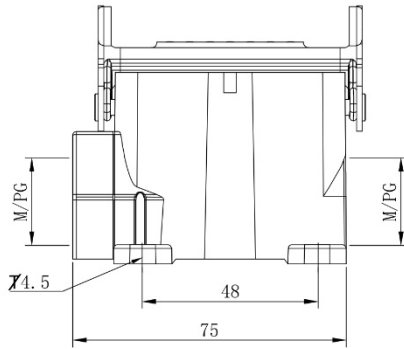
- Material: Aluminium die-cast
- Surface: powder-coated
- Colour: (grey)
- Temperature range:
 - 40°C - +125°C
- Degree of Protection: IP65
(acc.to IEC 60529 for coupled connector)
- Cable entry: side entry
- No. of cable entries: 1
- Thread size: M/PG
- Hoods/Housings sealing: NBR

Dimensional line drawings

Surface Mount 1 Locking Lever 2 Cable Openings

2xM20 = 208-4718

2xPG16 = 208-4719



Technical specification:

- Material: Aluminium die-cast
- Surface: powder-coated
- Colour: (grey)
- Temperature range:
 - 40°C - +125°C
- Degree of Protection: IP65
(acc.to IEC 60529 for coupled connector)
- Locking element:
 - locking type: single locking latch
 - material: metal galvanized/nickel plating
- Cable entry: side entry
- No. of cable entries: 2
- Thread size: M/PG

Dimensional line drawings

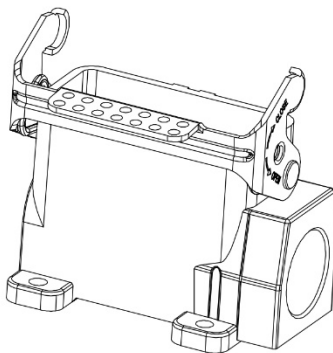
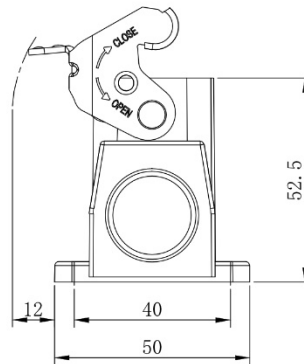
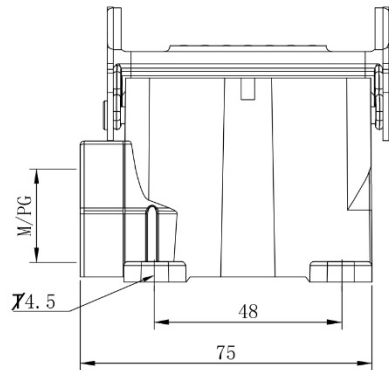
Surface Mount 1 Locking Lever Single Cable Opening

M20 = 208-4726

M25 = 208-4727

PG16 = 208-4728

PG21 = 208-4729



Technical specification:

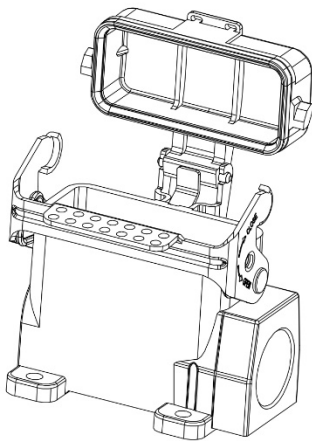
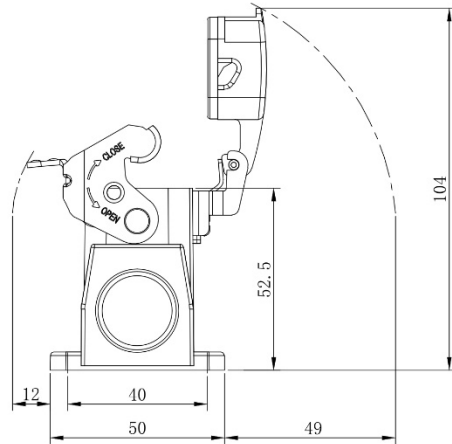
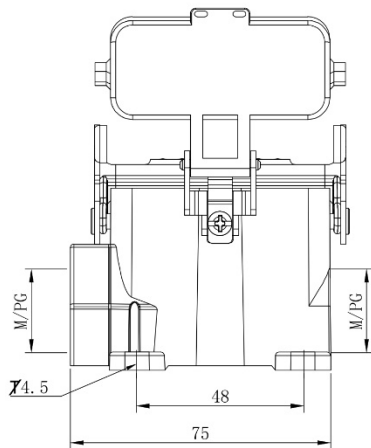
- Material: Aluminium die-cast
- Surface: powder-coated
- Colour: (grey)
- Temperature range:
 - 40 °C - +125 °C
- Degree of Protection: IP65
(acc.to IEC 60529 for coupled connector)
- Locking element:
 - locking type: single locking latch
 - material: metal galvanized/nickel plating
- Cable entry: side entry
- No. of cable entries: 1
- Thread size: M/PG

Dimensional line drawings

Surface Mount 1 Locking Lever 2 Cable Openings with Plastic Cover

2xM20 = 208-4720

2xPG16 = 208-4721



Technical specification:

- Material: Aluminium die-cast
- Material, cover: PC
- Surface: powder-coated
- Colour: (grey)
- Temperature range:
 - 40°C - +125°C
- Degree of Protection: IP65
(acc.to IEC 60529 for coupled connector)
- Locking element:
 - locking type: single locking latch
 - material: metal galvanized/nickel plating
- Cable entry: side entry
- No. of cable entries: 2
- Thread size: M/PG

Dimensional line drawings

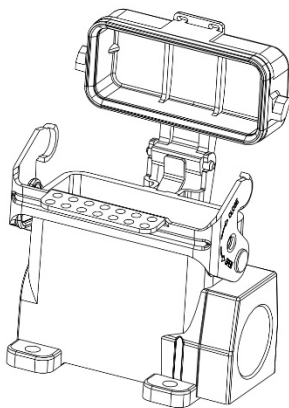
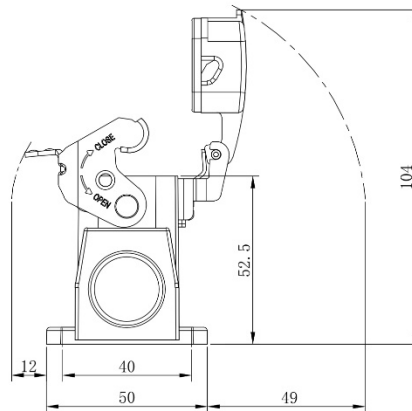
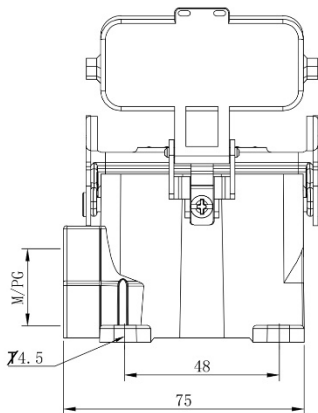
Surface Mount 1 Locking Lever Single Cable Opening with Plastic Cover

M20 = 208-4722

M25 = 208-4723

PG16 = 208-4724

PG21 = 208-4725



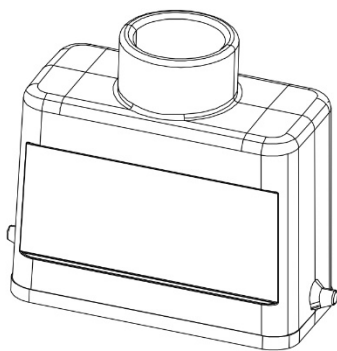
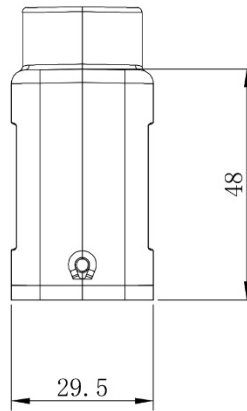
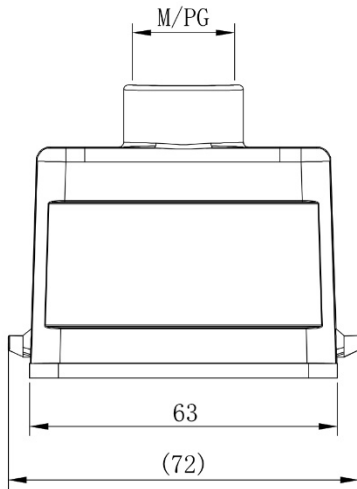
- Technical specification:
- Material: Aluminium die-cast
 - Material, cover: PC
 - Surface: powder-coated
 - Colour: (grey)
 - Temperature range:
 - 40°C - +125°C
 - Degree of Protection: IP65
(acc.to IEC 60529 for coupled connector)
 - Locking element:
 - locking type: single locking latch
 - material: metal galvanized/nickel plating
 - Cable entry: side entry
 - No. of cable entries: 1
 - Thread size: M/PG

Dimensional line drawings

Top Entry Hood 2 Locking Points

M20 = 208-4730

PG13.5 = 208-4731



- Technical specification:
- Material: Aluminium die-cast
 - Surface: powder-coated
 - Colour: (grey)
 - Temperature range: -40°C - +125°C
 - Degree of Protection: IP65
(acc.to IEC 60529 for coupled connector)
 - Cable entry: top entry
 - No. of cable entries: 1
 - Thread size: M/PG
 - Hoods/Housings sealing: NBR

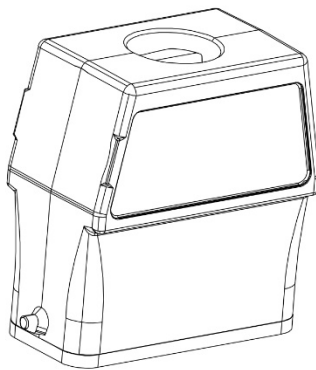
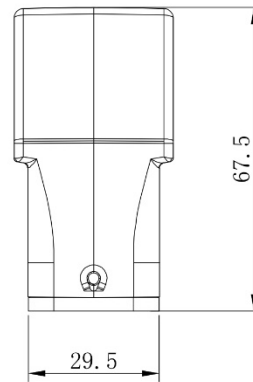
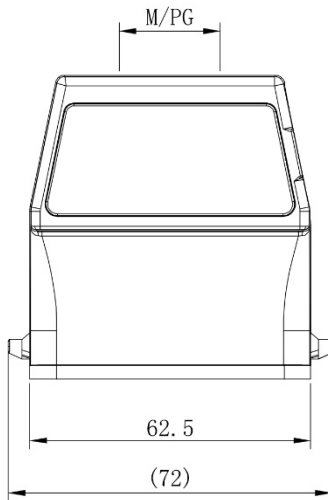
Dimensional line drawings

Top Entry High Hood 2 Locking Points

M25 = 208-4732

PG16 = 208-4733

PG21 = 208-4734



Technical specification:

- Material: Aluminium die-cast
- Surface: powder-coated
- Colour: (grey)
- Temperature range: -40°C - +125°C
- Degree of Protection: IP65
(acc.to IEC 60529 for coupled connector)
- Cable entry: top entry
- No. of cable entries: 1
- Thread size: M/PG
- Hoods/Housings sealing: NBR