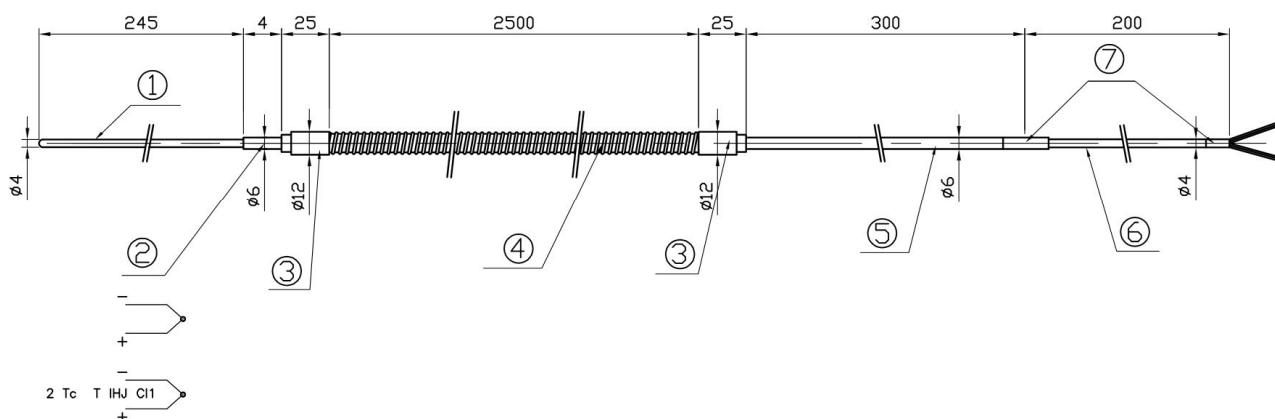




Data sheet THERMOCOUPLE

ENGLISH

RS Stock No. 621-2120
RS Stock No. 621-2120



RS TYPE T THERMOCOUPLE	
RANGE :	<ul style="list-style-type: none"> - 50 /+ 200°C
USE :	<ul style="list-style-type: none"> Autoclave
KEY POINT :	<ul style="list-style-type: none"> Double thermocouple T in same sleeve
SPECIFICATIONS :	<ul style="list-style-type: none"> 1 : Protection tube in AISI 316L SS 2 : Jonction Tube in AISI 316L SS 3 : Nozzle in AISI 316L SS 4 : Flexible in AISI 304 L SS 5 : Ø 6mm Tube in AISI 316L SS 6 : Duplex Cable in silicone 7 : Sleeve in polythene
DIMENSIONS :	<ul style="list-style-type: none"> See Drawing
METROLOGICAL DATA :	<ul style="list-style-type: none"> As per IEC 584 Standard tolerance TC "T" class 1: -40°C < t° < 120°C = ± 1.5°C or 125°C < t° < 350°C = ±0.004. [t] Response time : Time constant at 63% in water → 0.7 sec Output signal FEM(mV) as per curve of "T" type as per norme IEC 60584