

FEATURES

- Miniature Type T thermocouple connector plug for use with Type T thermocouple
- In-line connector
- Minimum operating temperature of -35°C
- Maximum operating temperature of $+220^{\circ}\text{C}$
- Colour coded brown in accordance with JIS (Japanese Industrial Standards) specifications
- Compatible with all other makes of equivalent connectors
- Connectors will accept thermocouple cable up to 4 mm in diameter
- Sockets available and can be supplied as in-line or panel mounted versions
- RoHS compliant

RS PRO Universal Thermocouple Connector for use with Type K Thermocouple Type K, Miniature

RS Stock No.: 771-8777



RS Professionally Approved Products bring to you professional quality parts across all product categories. Our product range has been tested by engineers and provides a comparable quality to the leading brands without paying a premium price.

Product Description

The RS PRO Type T thermocouple connector plug is most often chosen for low-temperature applications. Thanks to its copper-constantan alloy wires, it has a stable configuration that remains constant at different temperatures. The miniature, in-line plug can operate at temperatures ranging from -200°C to +350°C and is encased in a robust thermoplastic housing that helps protect its components from rust and corrosion. The unit has flat pins that are also polarised to help ensure you don't make an incorrect connection. Type T connectors have a copper positive pin and copper-nickel negative pin, both of which are true thermocouple alloys to ensure as much accuracy as possible.

General Specifications

Accessory Type	Thermocouple Connector
For Use With	Type T Thermocouple
Thermocouple Type	T
Positive Contact (Alloy Type)	Copper
Negative Contact (Alloy Type)	Copper Nickel
Colour	Brown
Applications	Miniature In-Line Connector

Mechanical Specifications

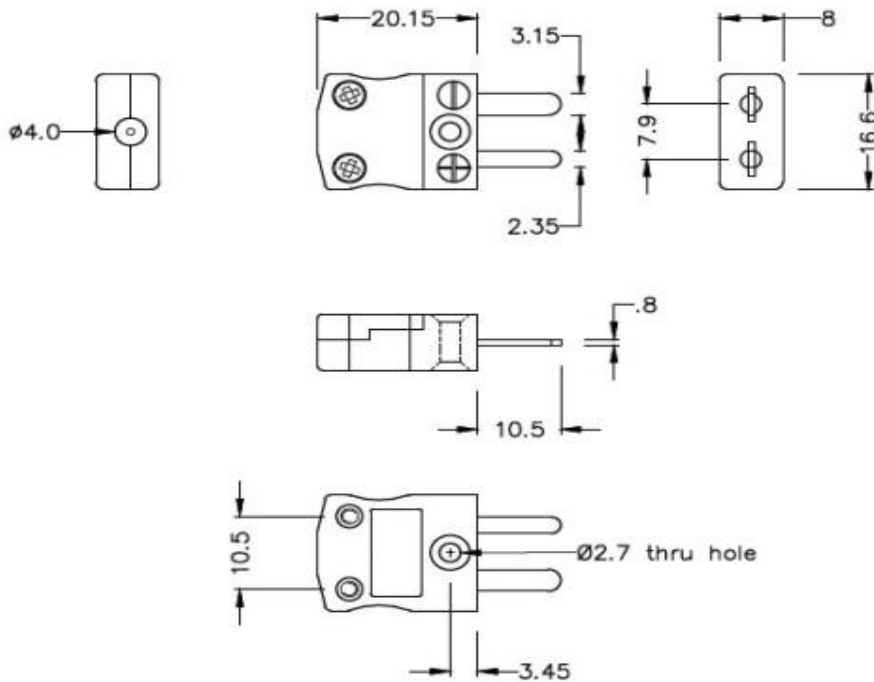
Connector Size	Miniature
Length	20.15mm
Probe Diameter	4mm
Plug/Socket	Plug
Dimensions	20.15mm x 8mm x 16.6mm

Operation Environment Specifications

Maximum Temperature	+220°C
Minimum Temperature	-35°C

Approvals

Compliance/Certifications	RoHS
---------------------------	------



Miniature in-line Plug
(dimensions in mm)