

Datasheet

# RS PRO SP21 Panel Mount Connector



## Technical Specifications:

| Number of contact                                       | 2              | 3              | 4              | 5              | 5B                | 5C     | 6                 | 6B                | 7      | 8       | 9        | 12       | 15       |
|---|----------------|----------------|----------------|----------------|-------------------|--------|-------------------|-------------------|--------|---------|----------|----------|----------|
| Male contact face view                                  |                |                |                |                |                   |        |                   |                   |        |         |          |          |          |
| Rated current (A)                                       | 30             | 30             | 30             | 30             | 30<br>5           | 15     | 25<br>5           | 30<br>5           | 15     | 10      | 5        | 5        | 5        |
| Contact diameter (mm)                                   | ∅3X2           | ∅3X3           | ∅3X4           | ∅3X5           | ∅3X2<br>∅1X3      | ∅2X5   | ∅2.5X4<br>∅1X2    | ∅3X2<br>∅1X4      | ∅2X7   | ∅1.5X10 | ∅1X9     | ∅1X12    | ∅1X15    |
| Rated voltage (AC.V)                                    | 500            | 500            | 500            | 500            | 500               | 500    | 500               | 500               | 500    | 500     | 400      | 400      | 400      |
| Test voltage(AC.V) 1 min                                | 1500           | 1500           | 1500           | 1500           | 1500              | 1500   | 1500              | 1500              | 1500   | 1500    | 1500     | 1200     | 1200     |
| Contact resistance (mΩ)                                 | 1              | 1              | 1              | 1              | 1<br>5            | 2.5    | 1<br>5            | 1<br>5            | 2.5    | 2.5     | 5        | 5        | 5        |
| Termination   | solder / screw | solder / screw | solder / screw | solder / screw | solder            | solder | solder            | solder            | solder | solder  | solder   | solder   | solder   |
| Wire size for solder (mm <sup>2</sup> / AWG)            | ≤4/11          | ≤4/11          | ≤4/11          | ≤4/11          | ≤4/11<br>≤0.75/18 | ≤2/14  | ≤4/11<br>≤0.75/18 | ≤4/11<br>≤0.75/18 | ≤2/14  | ≤2/14   | ≤0.75/18 | ≤0.75/18 | ≤0.75/18 |
| Wire size for screw termination (mm <sup>2</sup> / AWG) | ≤1.5/15        | ≤1.5/15        | ≤1.5/15        | ≤1.5/15        | /                 | /      | /                 | /                 | /      | /       | /        | /        | /        |

## Product Details

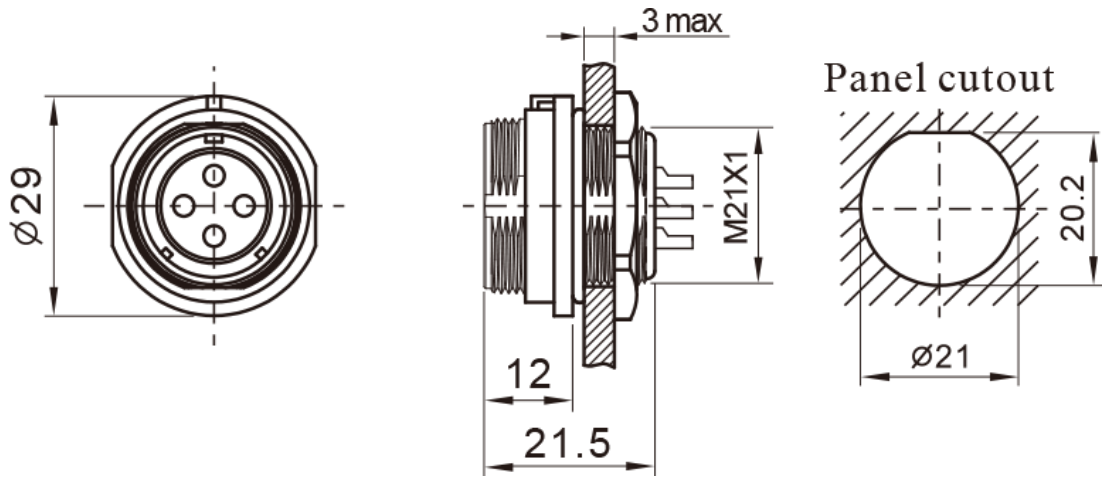
The RS Pro SP21 series is a range of lightweight but robust waterproof connectors, which are sealed to IP68. Threaded coupling ensures a secure connection, even in the harshest environments. Versions are available for in-line cable to cable and for cable to panel connections. Plugs and receptacles are available with either male pins or female sockets. These products are ideal for use in outdoor applications where a secure, waterproof connection is required.

## Features and Benefits

- Threaded Coupling
- IP68
- 2-15 Poles
- Cable to Cable and Cable to Panel Connections
- 90-degree Cable Mount Connectors Available



## Dimensional line drawings



## Quality Standards

