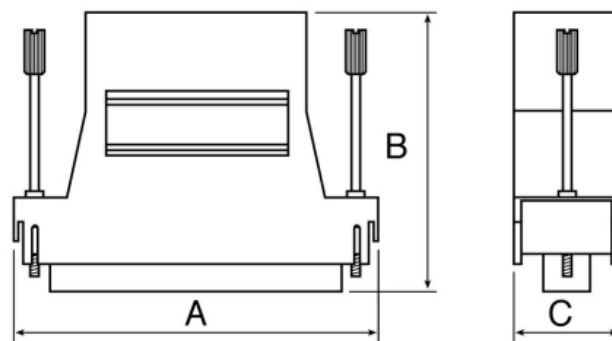
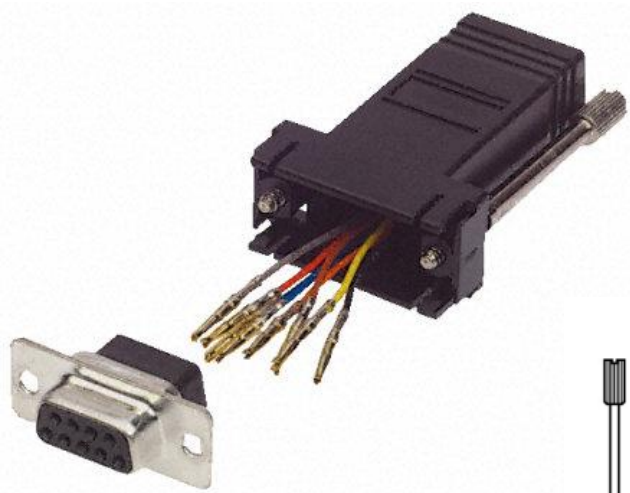


Datasheet

6 way RJ11 to 25 way D plug data adaptor

RS Stock 818-671



Specifications:

Dimensions (in mm) - 9, 15 & 25 Ways				Pin Configurations		
	9	15	25	9/25	15	Shielded
A	32	49	15.5	1 - Black	1 - Blue	1 - Blue
B	41	39	15.5	2 - Yellow	2 - Orange	2 - Orange
C	55	39	15.5	3 - Orange	3 - Black	3 - Black
				4 - Red	4 - Red	4 - Red
				5 - Green	5 - Green	5 - Green
				6 - Brown	6 - Yellow	6 - Yellow
				7 - Grey	7 - Brown	7 - Brown
				8 - Blue	8 - White	8 - White
						Drain Wire

Materials:

- Plastic : ABS
- Screw: 4-40 Nickel, Plating Thumb Screw
- Lead Wire: UL 1061, 26 AWG, 7 Strand
- Terminal: Copper, Gold Plating