

Datasheet

## **Time-Lag Glass Tube Fuse, 1-15A, 6.3x32mm**

**Stock No: 1778026/1778042/1778027/1778043/1778028/1778029/1778044**

**RS Pro**



### **Specifications:**

#### **Materials**

Tube (Body): Transparent glass tube. No breaking or deformation is allowed.

Two brass end caps: Made of brass of good conductivity.

Coating of brass caps: Plating the surface with nickel.

If the indication is added with "S", it needs to be plated with silver.

#### **Interrupting Ratings**

200mA~10A: 10000 amperes at 125V AC

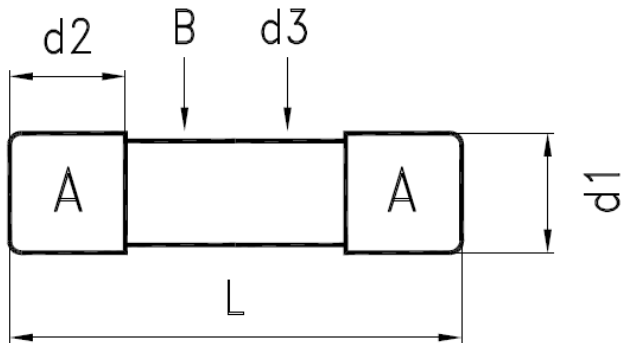
200mA~1A: 35 amperes at 250V AC

1.2A~3.5A: 100 amperes at 250V AC

3.75A~30A: 200 amperes at 250V AC

#### **Operating Temperature**

-55°C to +125°C

**Drawing (mm):**


NO.	Part Name		Volume
A	Brass Cap	Nickel Plating	2
B	Glass Tube	Transparent Glass	1
d1	Dia. of Cap	6.35±0.1mm	
d2	Height of Cap	6.45±0.1mm	
d3	Dia. of Glass	5.62±0.3mm	
L	Body of Fuse	31.75±0.75mm	

**Electrical Characteristic:**

Rating	100% Rating		135% Rating		200% Rating	
	Min.	Max.	Min.	Max.	Min.	Max.
200mA~3A	4 Hr			1 Hr	5 sec	120 sec
3.15A~30A	4 Hr			1 Hr	12 sec	120 sec



ENGLISH

Mark Approvals		Nominal Resistance
		Cold Ohms
1	A	0.3504
1.5	A	0.1928
2	A	0.1088
3.5	A	0.0525
7	A	0.0167
10	A	0.0113
15	A	0.0064

## Reference:

Stock No	Rating amperes
1778026	1A 250V
1778042	1.5A 250V
1778027	2A 250V
1778043	3.5A 250V
1778028	7A 250V
1778029	10A 250V
1778044	15A 250V