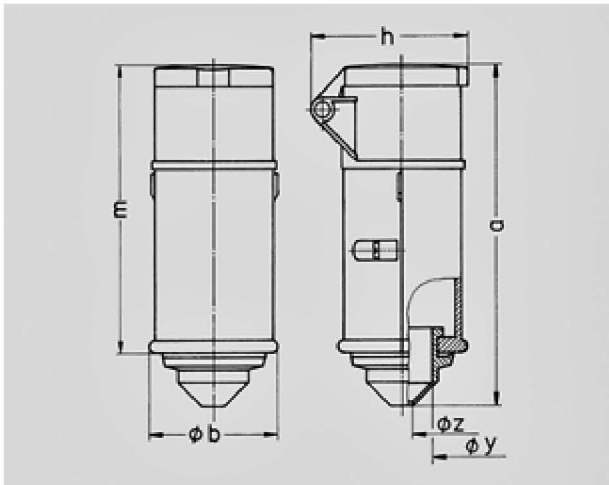
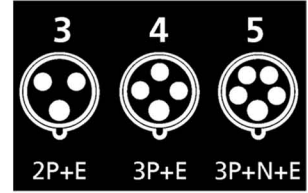


**Connector - Part no. 681A**



- screw terminals
- with grommet

Protection type IP 44  
 Ampere 16A  
 Poles 2p  
 Voltage low voltage  
 Hertz 50-60Hz  
 Earth position 0h  
 Contact standard  
 Connection technology Screw terminals



Drawing	Amp.	16		32	
		2	3	2	3
<b>3 MB 37</b>	<b>Poles</b>				
Dim. in mm	a	144	144	144	144
	b	55	55	55	55
	h	67	67	67	67
	m	122	122	122	122
	y	25	25	25	25
	z	9	9	9	9
Terminal for cond.		4	4	4	4
section (mm <sup>2</sup> ) min.-max.		-10	-10	-10	-10

