



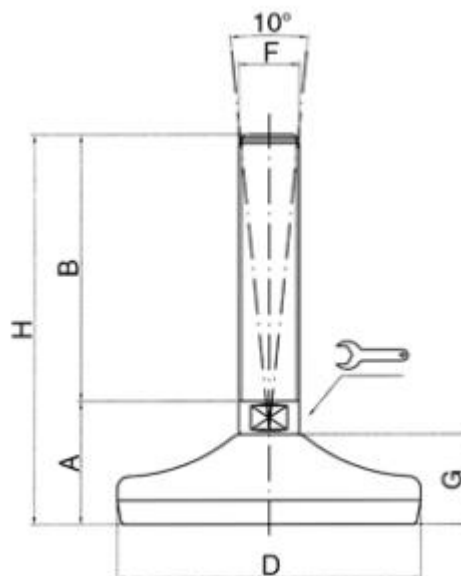
# ENGLISH

## Stainless Steel Levelling Feet

The RS Pro Height Adjustable mounts are used for levelling and support, these are used in many applications including food processing units, packing systems and conveyor systems.

The base rubber is made of oil resistant 80 ShA Vulcanized NBR along with the Stainless-Steel thread and base plate these are often used in food safe and cleanroom applications.

These mounts have a 10 degree articulation capabilities.



<b>MPN</b>	<b>Description</b>	<b>A (mm)</b>	<b>B (mm)</b>	<b>D (mm)</b>	<b>F (mm)</b>	<b>G (mm)</b>	<b>H (mm)</b>	<b>Metal Type</b>	<b>Static Load kg</b>
1965347	Stainless Steel foot with 10°articulation	44	100	100	M24	30	144	Stainless Steel 304	1500
1965348	Stainless Steel foot with 10°articulation	29	100	50	M14	19	129	Stainless Steel 304	400
1965349	Stainless Steel foot with 10°articulation	32	100	60	M10	22	132	Stainless Steel 304	700
1965350	Stainless Steel foot with 10°articulation	32	100	60	M12	22	132	Stainless Steel 304	700
1965351	Stainless Steel foot with 10°articulation	32	150	60	M12	22	182	Stainless Steel 304	700
1965353	Stainless Steel foot with 10°articulation	32	100	60	M14	22	132	Stainless Steel 304	700
1965354	Stainless Steel foot with 10°articulation	32	100	50	M16	22	132	Stainless Steel 304	400
1965355	Stainless Steel foot with 10°articulation	35	100	60	M16	22	135	Stainless Steel 304	700
1965356	Stainless Steel foot with 10°articulation	35	100	80	M14	22	135	Stainless Steel 304	1000