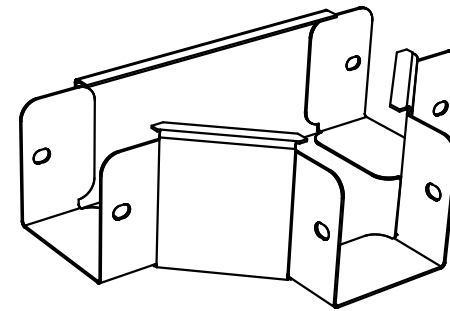
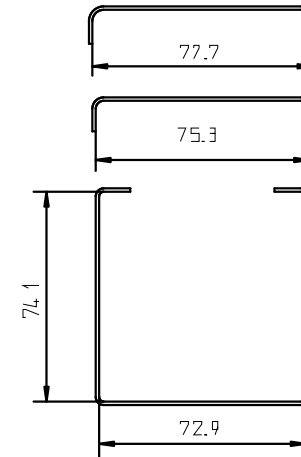
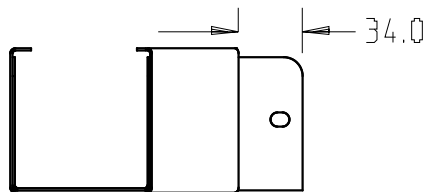


ISOMETRIC VIEW



FITTING IS SHOWN WITHOUT LID



ALL INTERNAL



| | | | | | | | | |
|-------|-------------------|----------|-----------|-----|-----------|--------------|-----------------------|--|
| TITLE | DATE | 10:12:01 | DRAWN | MSE | MATERIAL | 1.4301 ST ST | TOLERANCES +/- 1.5 | THIS DRAWING IS SUBJECT TO COPYRIGHT IT MUST NOT BE REPRODUCED OR OTHERWISE MADE USE OF, WITHOUT THE WRITTEN PERMISSION OF ELECTRIX INTERNATIONAL LTD |
| | 75-75 TOP LID TEE | AUTH | CHECKED | JA | FINISH | POL / SATIN | | |
| | | | rspro.com | | THICKNESS | 1.2 | | |