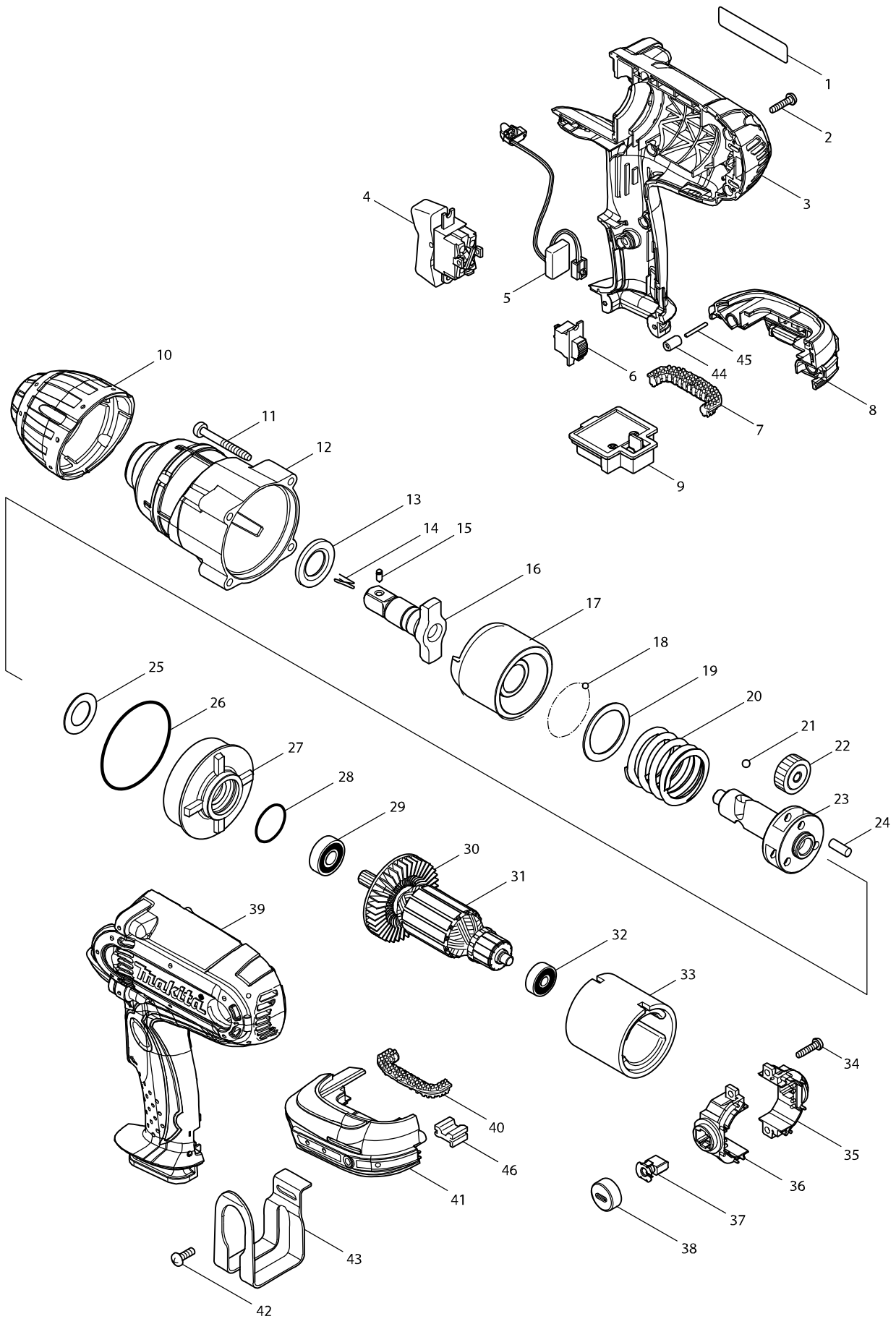


Model No. DTW450 CORDLESS IMPACT WRENCH



Model No. DTW450 CORDLESS IMPACT WRENCH

Item	Parts No.	Description	I/C	Qty	N/O	Opt. 1	Opt. 2	Note
001	850H18-7	DTW450 NAME PLATE		1				
002	265995-6	TAPPING SCREW 4X18		9				
003	188434-8	HOUSING SET		1				
C10	263025-7	RUBBER PIN 4		4				
D10		INC. 39						
004	651572-4	SWITCH SL220SD-19		1				
005	631738-2	LIGHT CIRCUIT		1				
006	638503-0	SWITCH UNIT		1				
007	424042-4	CUSHION RUBBER		1				
008	187873-9	BATTERY HOUSING SET		1				
C10	263005-3	RUBBER PIN 6		2				
D10		INC. 41						
009C	643843-3	TERMINAL		1	*			
009D	643843-3	TERMINAL		1	*			
009E	643843-3	TERMINAL		1	*			
009-1C	643844-1	TERMINAL	O	1				
009-1D	643844-1	TERMINAL	O	1				
009-1E	643844-1	TERMINAL	O	1				
009-1F	643844-1	TERMINAL		1				
010	421971-2	BUMPER		1				
011	266056-5	TAPPING SCREW 5X45		4				
012	158076-2	HAMMER CASE COMPLETE		1				
013	267268-3	FLAT WASHER 19		1				
014	231907-1	RING SPRING 10		1				
016	324406-1	ANVIL		1	*			
016-1	326983-9	ANVIL	<	1				
017	324697-4	HAMMER		1				
018	216008-6	STEEL BALL 4		29				
019	267340-1	FLAT WASHER 32		2				
020	234338-3	COMPRESSION SPRING 33		1				
021	216007-8	STEEL BALL 6.4		2				
022	227171-0	SPUR GEAR 23		3				
023	310185-7	SPINDLE		1				
024	256033-5	PIN 6		3				
025	253794-8	FLAT WASHER 18		1				
026	213722-5	O RING 63		1				
027	227172-8	INTERNAL GEAR 53		1				
028	213407-3	O RING 26		1				
029	210059-1	BALL BEARING 6000DDW		1				
030	241850-6	FAN 60		1				
031	519199-5	ARMATURE ASS'Y 18V		1				
D10		INC. 29,30,32						
032	210025-8	BALL BEARING 627LLB		1				
033	638107-8	YOKE UNIT		1				
034	265995-6	TAPPING SCREW 4X18		2				
035	643818-2	BRUSH HOLDER		1				
036	643823-9	BRUSH HOLDER		1				
037	194435-6	CARBON BRUSH CB-441		1				

Model No. DTW450 CORDLESS IMPACT WRENCH

Item	Parts No.	Description	I/C	Qty	N/O	Opt. 1	Opt. 2	Note
038C	643941-3	BRUSH HOLDER CAP		2	*			
038D	643941-3	BRUSH HOLDER CAP		2	*			
038E	643941-3	BRUSH HOLDER CAP		2	*			
038-1C	643829-7	HOLDER CAP	<	2				
038-1D	643829-7	HOLDER CAP	<	2				
038-1E	643829-7	HOLDER CAP	<	2				
038-1F	643829-7	HOLDER CAP		2				
039	188434-8	HOUSING SET		1				
C10	263025-7	RUBBER PIN 4		4				
D10		INC. 3						
040	424042-4	CUSHION RUBBER		1				
041	187873-9	BATTERY HOUSING SET		1				
C10	263005-3	RUBBER PIN 6		2				
D10		INC. 8						
042	251314-2	+ SCREW M4X12		1				
043	345736-7	HOOK		1				
044	263036-2	RUBBER PIN 5		1				
045	268184-2	PIN 1.5		1				
046C	424026-2	CUSHION		1	*			
046D	424026-2	CUSHION		1	*			
046E	424026-2	CUSHION		1	*			
046-1C	424476-1	CUSHION	O	1				
046-1D	424476-1	CUSHION	O	1				
046-1E	424476-1	CUSHION	O	1				
046-1F	424476-1	CUSHION		1				
A01C	***DC18RC	DC18RC FAST CHARGER		1				
A01E	***DC18RC	DC18RC FAST CHARGER		1				
A01F	***DC18RC	DC18RC FAST CHARGER		1				
A02C	194204-5	BATTERY BL1830 SET		2	*			
A02-1C	194204-5	BATTERY BL1830 SET	O	2	*			
A02-1E	196399-0	BATTERY BL1840 SET		2	*			
A02-2C	197600-6	BATTERY BL1830B SET	<	2				
A02-2E	197265-4	BATTERY BL1840B SET	<	2				
A02-2F	197280-8	BATTERY BL1850B SET		2				
A03C	450128-8	BATTERY COVER		1				
A03E	450128-8	BATTERY COVER		1				
A03F	450128-8	BATTERY COVER		1				
A04C	141644-8	PLASTIC CASE COMPLETE		1				
C10	163467-4	LATCH		2				
A04E	141644-8	PLASTIC CASE COMPLETE		1				
C10	163467-4	LATCH		2				
A04F	141644-8	PLASTIC CASE COMPLETE		1				
C10	163467-4	LATCH		2				
A05C	804G21-4	DTW450RFE MODEL NO. LABEL		1	*			
A05E	804R36-7	DTW450RME MODEL NO. LABEL		1	*			
A05-1C	807N25-7	DTW450RFE MODEL NO. LABEL	O	1				
A05-1E	807N34-6	DTW450RME MODEL NO. LABEL	O	1				
A05-1F	807N39-6	DTW450RTE MODEL NO. LABEL		1				