

**RoHS
Compliant**



MP007536



MP007535

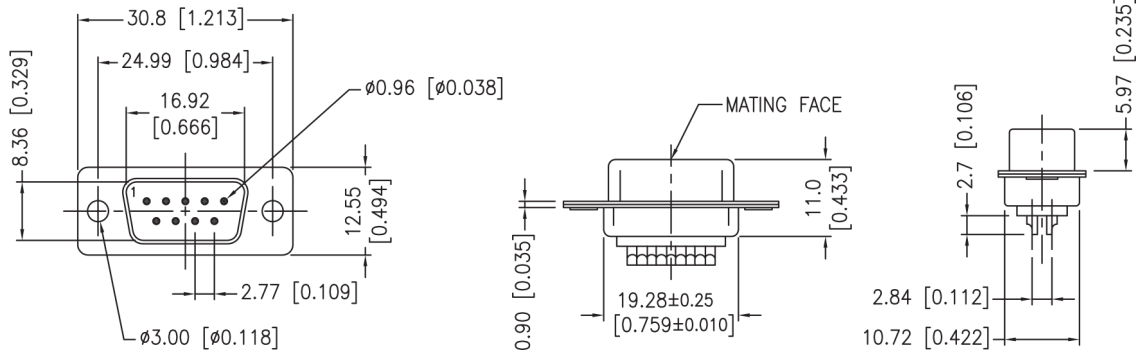
Specification

Material

Insulator : Glass-Filled Thermoplastic PBT, UL94V-O
 Contact : Copper Alloy, Machined Pin, 1 Micro Inch Gold-Plated
 Front Shell : Steel, 60u" Nickel Over 50u" Min Copper
 Back Shell : Steel, 100u" Tin Over 50u" Min Copper
 Insulator Colour : White

Electrical

Contact Resistance : 20mΩ Max at 1 AMP DC.
 Insulation Resistance : 1000 MΩ @ 500V DC
 Dielectric withstanding Voltage : 1000V AC/rms 60Hz for 1 minute
 Current Rating : 5 AMP
 Voltage Rating : 250V AC/rms 60Hz



Dimensions : Millimetres (Inches)

Part Number Table

Description	Part Number
D-Sub Connector, 9P, Female, Solder type Machined Contacts	MP007535
D-Sub Connector, 9P, Male, Solder type Machined Contacts	MP007536

Important Notice : This data sheet and its contents (the "Information") belong to the members of the AVNET group of companies (the "Group") or are licensed to it. No licence is granted for the use of it other than for information purposes in connection with the products to which it relates. No licence of any intellectual property rights is granted. The Information is subject to change without notice and replaces all data sheets previously supplied. The Information supplied is believed to be accurate but the Group assumes no responsibility for its accuracy or completeness, any error in or omission from it or for any use made of it. Users of this data sheet should check for themselves the Information and the suitability of the products for their purpose and not make any assumptions based on information included or omitted. Liability for loss or damage resulting from any reliance on the Information or use of it (including liability resulting from negligence or where the Group was aware of the possibility of such loss or damage arising) is excluded. This will not operate to limit or restrict the Group's liability for death or personal injury resulting from its negligence. Multicomp Pro is the registered trademark of Premier Farnell Limited 2019.

Newark.com/multicomp-pro
 Farnell.com/multicomp-pro
 Element14.com/multicomp-pro