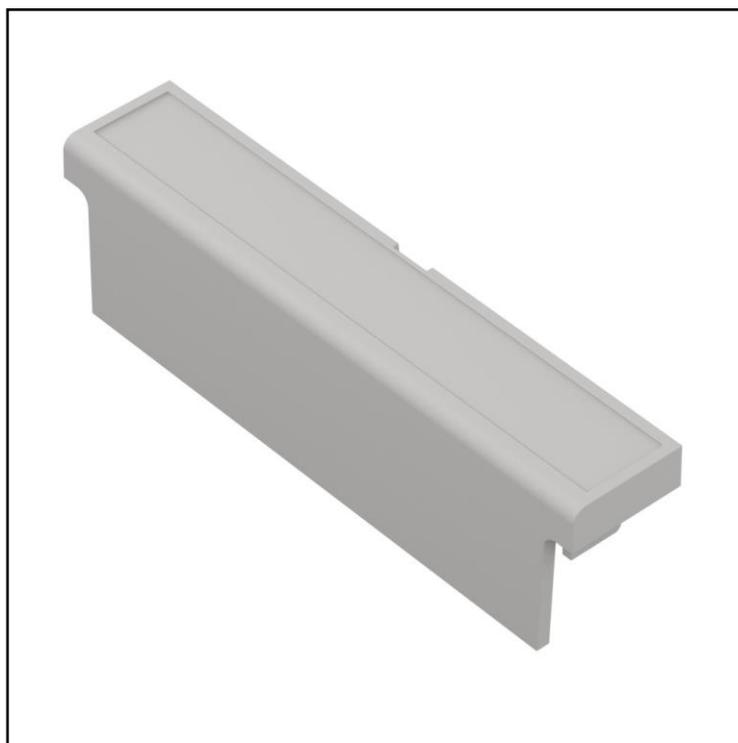


## FEATURES

- Made of ABS V0
- Full terminal cover for three module slot

## RS PRO DIN Rail Enclosures

RS Stock No.: 2383983



RS Professionally Approved Products bring to you professional quality parts across all product categories. Our product range has been tested by engineers and provides a comparable quality to the leading brands without paying a premium price.

## Product Description

*Four module slot mask. Recommended when there are no outlets from the housing and entire opening has to be masked. It is possible to mill custom holes for special connectors. Slot mask designed for ZD1008, ZD1012 enclosures.*

## General Specifications

<b>Material</b>	ABS V0
<b>Colour</b>	Lightgray
<b>Applications</b>	Accessories for DIN Rail Enclosures

## Mechanical Specifications

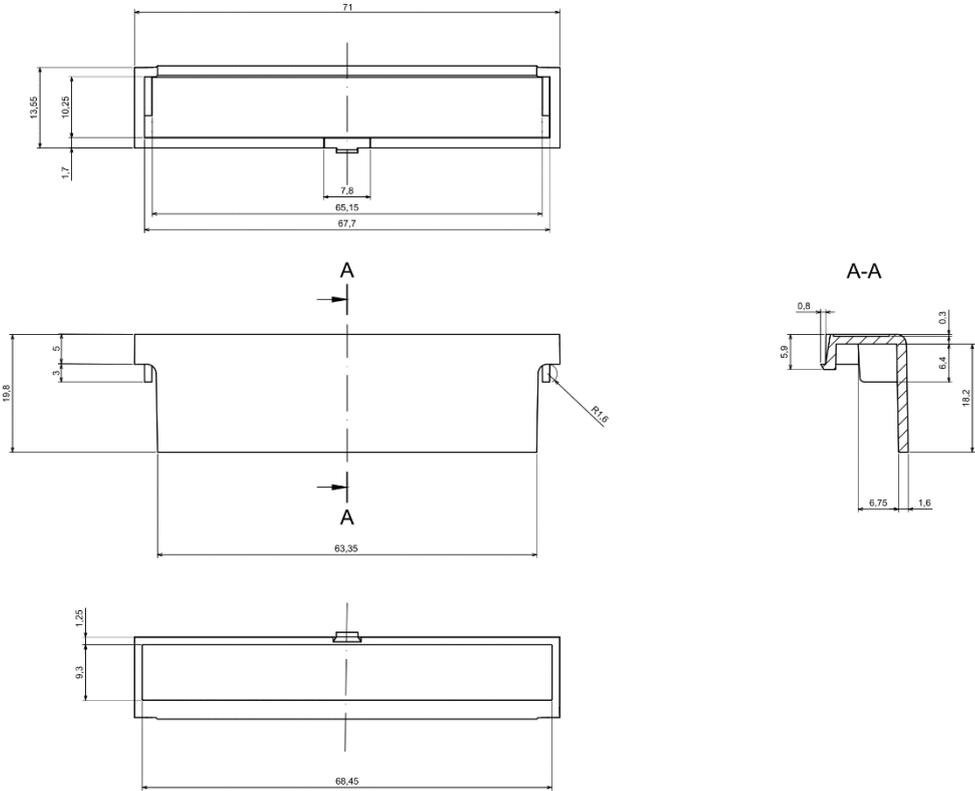
	19.8 mm
<b>Width</b>	13.6 mm
<b>Length</b>	71.0 mm
<b>Gasket</b>	No

## Approvals

<b>Standards Met</b>	RoHS Compliant
----------------------	----------------

## Similar Products

Stock No.	Brand	Product Name	Type
2383982	RS PRO	DIN Rail Enclosures	Customizable terminal cover
2383984	RS PRO	DIN Rail Enclosures	Terminal cover for sockets



All dimensions are given within +/-0,5mm tolerance