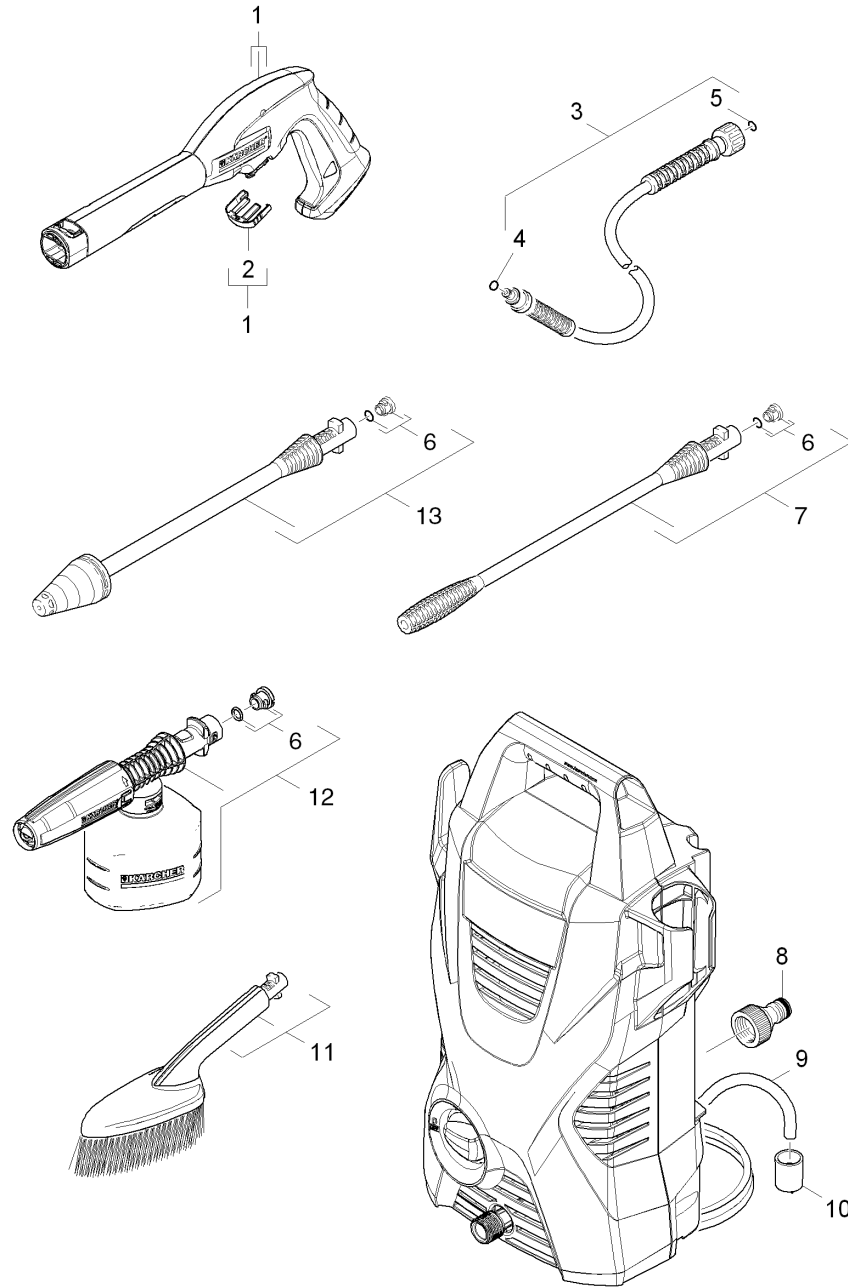


Short spare parts list (1.673-121.3)

Home and Garden \ High pressure cleaner cold water \ Electric motor \ K 2 \ K 2 Compact *EU \ Short spare parts list



Short spare parts list (1.673-121.3)

Home and Garden \ High pressure cleaner cold water \ Electric motor \ K 2 \ K 2 Compact *EU \ Short spare parts list

KÄRCHER

| POS | Article no. | Description | Quantity | Unit |
|-----|-------------|--|----------|------|
| 1 | 4.775-830.0 | G 120 Q | 1.000 | ST |
| 2 | 5.037-333.0 | Clamp pistol Entry | 1.000 | ST |
| 3 | 6.396-228.0 | High pressure hose 12MPa/10 40°C NQC B | 1.000 | ST |
| 4 | 6.363-410.0 | O-Ring seal 5,7x1,78 NBR 90Shore | 1.000 | ST |
| 5 | 2.880-990.0 | Spare part set O-Ring 5x -Kaercher | 1.000 | ST |
| 6 | 2.640-729.0 | O-Ring seal set | 3.000 | ST |
| 7 | 4.760-535.0 | VPS K2 025 | 1.000 | ST |
| 8 | 6.465-031.0 | Connection 3/4 | 1.000 | ST |
| 9 | 6.388-216.0 | Hose DN 5 | 1.000 | M |
| 10 | 5.731-652.0 | Filter with weight | 1.000 | ST |
| 11 | 2.643-246.0 | WB 50 soft washing brush | 1.000 | ST |
| 12 | 2.643-150.0 | FJ 3 foam nozzle Basic Line | 1.000 | ST |
| 13 | 4.764-243.0 | Dirt blaster K2 027 St | 1.000 | ST |