

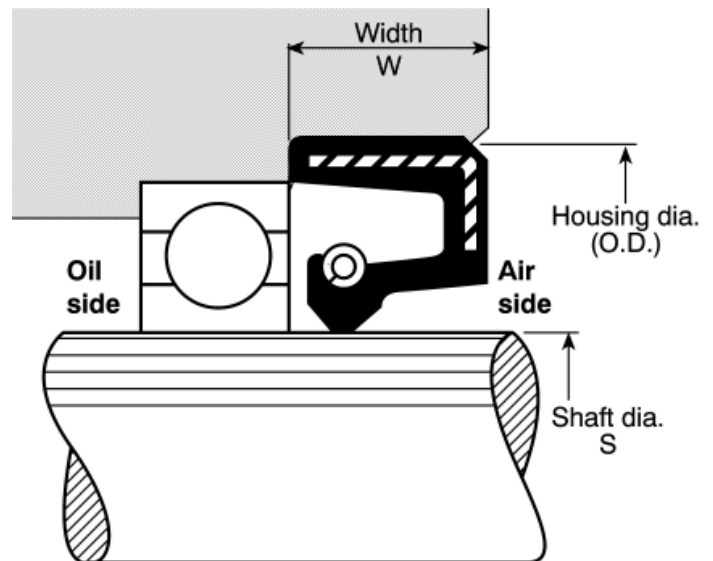


ENGLISH

Datasheet

Stock No: 211-9257

# RS Pro Nitrile Rubber Seal, 50mm Bore, 70mm O.D



## Product Details:

### Shaft Seals

Also known as oil seals, these seals are ideal for excluding dirt, dust, water or any other contaminant whilst retaining lubricant in rotary shaft equipment. They are generally used as a means of protecting the bearings of rotating shafts.

- Replaceable without damage to the housing bore
- No need for circlips, sealants or retaining plates

## Specifications:

Inside Diameter:	50mm
Outside Diameter:	70mm
Thickness:	10mm
Type:	Shaft Seal
Material:	Nitrile Rubber