



**Datasheet**

**ENGLISH**

**Stock No: 159-3616**

# **RS Pro 09-3865, 64, 96 Way Double Sided DIN 41612 Extender Board FR4 281.6 x 100 x 1.6mm**



## **Product Details**

### **Eurocard extensions**

Range of extensions for testing single- or double-height Eurocards, depth 160 or 220 mm, with type B or C DIN 41612 connectors.

The ejector mechanism situated at the front supports the board under test.

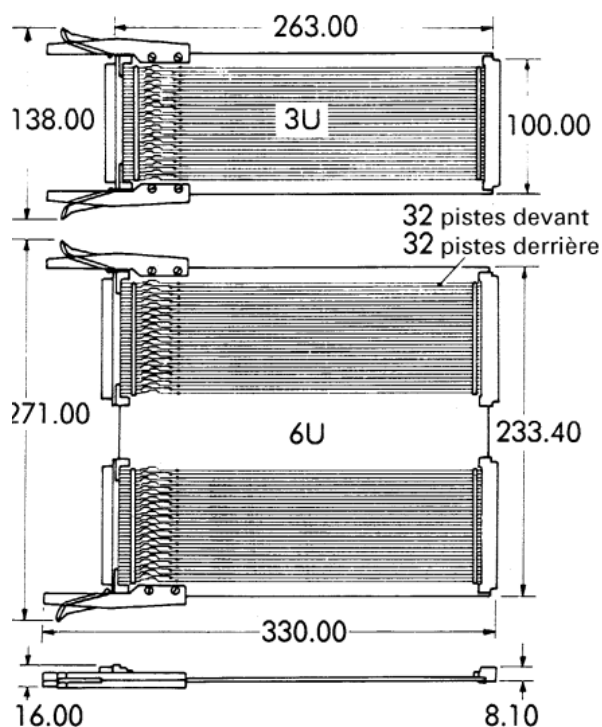
The board circuits are thus entirely clear of the chassis, considerably facilitating their inspection and verification.

To facilitate fixing of oscilloscope probes, the extension boards can be fitted with terminals (single boards are supplied with 20 terminals and doubles with 40).

This option is not available on extensions with 96 // 96 contacts.



ENGLISH



The extension is supplied as a kit comprising:
- the board and its connectors
- the support-ejector mechanism
- terminals (if applicable)
KM6 compatible
Solder-resistant protective varnish.

### PC Compatible Prototyping Boards

Prototyping boards manufactured from epoxy glass material to BS 4584 part 3 or 16. Card thickness is 1.6 mm. Copper is 305 g/m (1 oz/ft). Edge connector fingers are gold plated to a thickness of 1.5 microns. 1.0 mm (0.040 in.). Diameter holes are pre-drilled on a 2.54 mm (0.1 in.) matrix.

### Microboard Pattern

Incorporates, on the component side of the card, a colander ground plane for maximum screening and glitch free high speed operation, and complete solder mask protection.

## Specifications:

Type	Extender board
Connection	DIN 41612
Number of Contacts	64, 96
Base Material	Epoxy Glass Fabric Laminate
Number of Sides	2
Dimensions	281.6 x 100 x 1.6mm
Copper Thickness	35µm
FR Material Grade	FR4
Length	281.6mm
Thickness	1.6mm
Width	100mm