

# Bishamon



| Model No.  | Capacity (Kg) | Width (mm)     |                | Length (mm)    |                | Height (mm)    |                | Length (mm)    |    | Weight (Kgs.) |
|------------|---------------|----------------|----------------|----------------|----------------|----------------|----------------|----------------|----|---------------|
|            |               | A <sub>1</sub> | B <sub>1</sub> | D <sub>1</sub> | D <sub>2</sub> | A <sub>2</sub> | B <sub>2</sub> | B <sub>3</sub> |    |               |
| BM25M-L65  | 2500kg        | 520            | 1,070          | 65             | 165            | 214            | 935            | 805            | 85 |               |
| BM25LL-L65 |               | 685            | 1,220          | 65             | 165            | 379            | 1,085          | 955            | 95 |               |



DOWN

NEUTRAL

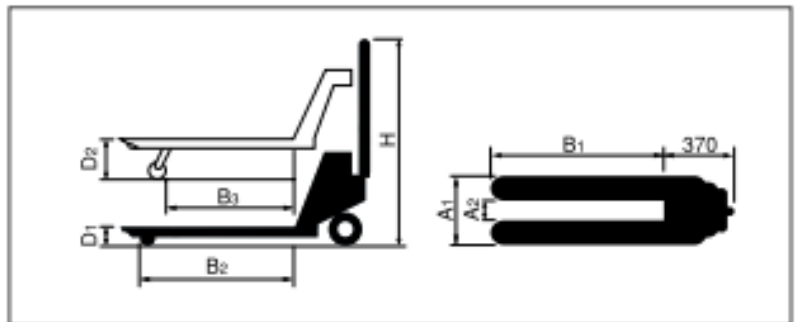
UP

### Comfortable Molded Grip Handle

Molded handle design provides comfort and a strong grip

### 3 Position Fingertip Control

3 position Control Lever provides easy fingertip control of complete hydraulic system



MADE  JAPAN