

FEATURES

- 36 contacts
- Overall dimensions of 61.6 mm length x 15.3 mm depth x 42.4 mm width
- 1A current rating
- Straight body orientation
- Minimum operating temperature of -55°C without cracking
- Maximum operating temperature of +105°C without melting
- Gold contact plating, brass contact material, PBT housing material
- Conforms to standards IEEE 428, IEEE 488

RS PRO 36 Way Cable Mount D-sub Connector Plug

RS Stock No.: 239-1213



RS Professionally Approved Products bring to you professional quality parts across all product categories. Our product range has been tested by engineers and provides a comparable quality to the leading brands without paying a premium price.

Product Description

A D-sub connector is a simple way of making I/O (input/output) interconnections and is used across industry in networking, communications and computing systems. This RS PRO 36-way cable mount plug features a double row of pins and couples with a compatible female connector.

The housing is made from PBT (polybutylene terephthalate), a polymer known for its insulating properties. Tin-plated solder bucket terminations defend against corrosion. The connector is protected by a sturdy D-shaped metal cover which ensures the plug stays in the correct position when paired and also provides a supportive shield. A rubber cable gland helps stop dust and dirt from getting into the unit.

General Specifications

Number Of Contacts	36
Gender	Male
Body Orientation	Straight
Mounting Type	Cable Mount
Termination Method	Solder
Housing Material	PBT (Insulator)
Contact Material	Brass
Contact Plating	Gold
Number Of Positions	36
Number Of Rows	2
Applications	Networking and communications equipment's

Electrical Specifications

Current Rating	1A
Contact Resistance	<25mOhm
Insulation Resistance	>1000mOhm at 500V

Mechanical Specifications

Dimensions	61.6mm x 15.3mm x 42.4mm
Length	61.6mm
Width	15.3mm
Depth	42.4mm
Hood	Steel
Shell	Steel, nickel over copper plated

Operation Environment Specifications

Maximum Operating Temperature	105°C
Minimum Operating Temperature	-55°C

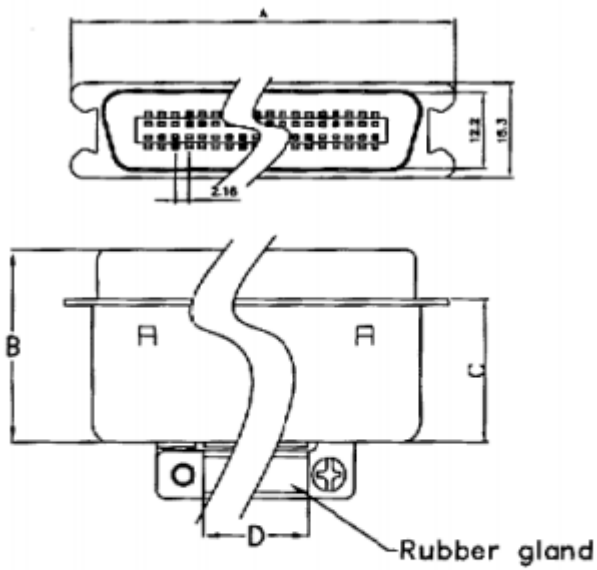
Protection Category

Material Flammability Rating	UL94 V-0
-------------------------------------	----------

Approvals

Compliance/Certifications	IEEE 428, IEEE 488, RoHS Compliant
----------------------------------	------------------------------------





POSITION	A	B	C	D
14F	37.8	41.0	21.4	7.6
24F	48.6	41.4	21.0	11.3
36F	61.6	42.4	23.0	16.8
50F	76.7	45.0	25.4	19