



Main

| | |
|---------------------------|--------------------|
| Range of product | Harmony STO & STU |
| Product or component type | Touch panel screen |
| Software designation | Vijeo Designer |
| Operating system | Harmony |
| Processor name | CPU ARM9 |

Complementary

| | |
|----------------------------|---|
| Display size | 3.5 inch |
| Display type | QVGA TFT colour touchscreen |
| Display colour | 65536 colours |
| Display resolution | 320 x 240 pixels QVGA |
| Touch panel | Analogue |
| Backlight lifespan | 50000 hours |
| Brightness | 16 levels |
| Character font | Chinese (simplified Chinese) Japanese (ANK, Kanji) ASCII Korean Taiwanese (traditional Chinese) |
| [Us] rated supply voltage | 24 V DC |
| Supply | External source |
| Supply voltage limits | 20.4...28.8 V |
| Inrush current | 30 A |
| Power consumption in W | 6.5 W |
| Number of pages | Limited by internal memory capacity |
| Processor frequency | 333 MHz |
| Memory description | Application memory 16 MB Back up of data 64 kB |
| Integrated connection type | 1 USB 2.0 type mini B 1 USB 2.0 type A COM1 serial link - female RJ45 - RS232C/RS485 (rate: <= 115.2 kbits/s) Power supply - removable screw terminal block 1 Ethernet - RJ45 |
| Realtime clock | Access to the PLC real-time clock |
| Downloadable protocols | Modbus TCP/IP Modbus Uni-TE Third party protocols |
| Fixing mode | Ø 22 mm hole |
| Enclosure material | PC/PBT |
| Marking | With Schneider logo CE |
| Height | 98.15 mm |

The information provided in this documentation contains general descriptions and/or technical characteristics of the performance of the products contained herein. This documentation is not intended as a substitute for and is not to be used for determining suitability or reliability of these products for specific user applications. It is the duty of any such user or integrator to perform the appropriate and complete risk analysis, evaluation and testing of the products with respect to the relevant specific application or use thereof. Neither Schneider Electric Industries SAS nor any of its affiliates or subsidiaries shall be responsible or liable for misuse of the information contained herein.

| | |
|-------|---------|
| Width | 118 mm |
| Depth | 55.3 mm |






Environment

| | |
|---------------------------------------|--|
| Immunity to microbreaks | 10 ms |
| Standards | IEC 61000-6-2 IEC 61131-2 UL 1604 UL 508 FCC Class A |
| Product certifications | cULus[RETURN]C-Tick[RETURN]Marine[RETURN]UL class 1 Div2 T4A ou T5[RETURN]UKCA |
| Ambient air temperature for operation | 0...50 °C |
| Ambient air temperature for storage | -20...60 °C |
| Relative humidity | 0...85 % without condensation |
| Operating altitude | <= 2000 m |
| IP degree of protection | IP20 (rear panel) conforming to IEC 60529 IP65 (front panel) conforming to IEC 60529 |
| NEMA degree of protection | NEMA 4X front panel (indoor use) |
| Shock resistance | 15 gn for 11 ms conforming to IEC 60068-2-27 |
| Vibration resistance | +/- 3.5 mm (f = 5...9 Hz) conforming to IEC 60068-2-6 1 gn (f = 9...150 Hz) conforming to IEC 60068-2-6 |
| Resistance to electromagnetic fields | 10 V/m conforming to IEC 61000-4-3 |

Packing Units

| | |
|------------------------------|-----------|
| Unit Type of Package 1 | PCE |
| Number of Units in Package 1 | 1 |
| Package 1 Height | 7.000 cm |
| Package 1 Width | 13.000 cm |
| Package 1 Length | 18.500 cm |
| Package 1 Weight | 532.000 g |
| Unit Type of Package 2 | S03 |
| Number of Units in Package 2 | 16 |
| Package 2 Height | 30.000 cm |
| Package 2 Width | 30.000 cm |
| Package 2 Length | 40.000 cm |
| Package 2 Weight | 8.999 kg |

Offer Sustainability

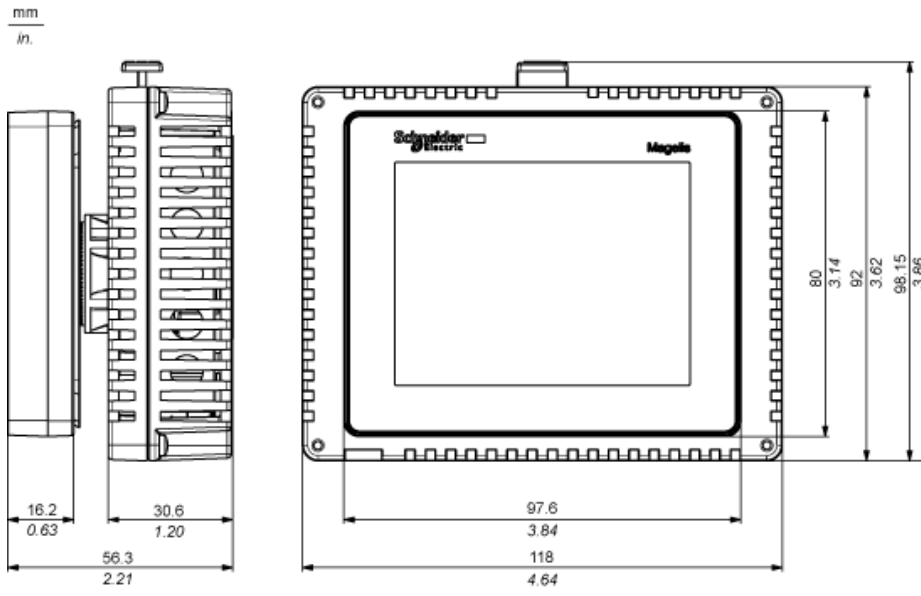
| | |
|----------------------------|---|
| Sustainable offer status | Green Premium product |
| REACH Regulation |  REACH Declaration |
| EU RoHS Directive | Pro-active compliance (Product out of EU RoHS legal scope) |
| Mercury free | Yes |
| China RoHS Regulation |  China RoHS Declaration |
| RoHS exemption information |  Yes |
| Environmental Disclosure |  Product Environmental Profile |
| Circularity Profile |  End Of Life Information |
| WEEE | The product must be disposed on European Union markets following specific waste collection and never end up in rubbish bins |
| Upgradeability | Upgradeable through digital modules and upgraded components |

Contractual warranty

| | |
|----------|-----------|
| Warranty | 18 months |
|----------|-----------|

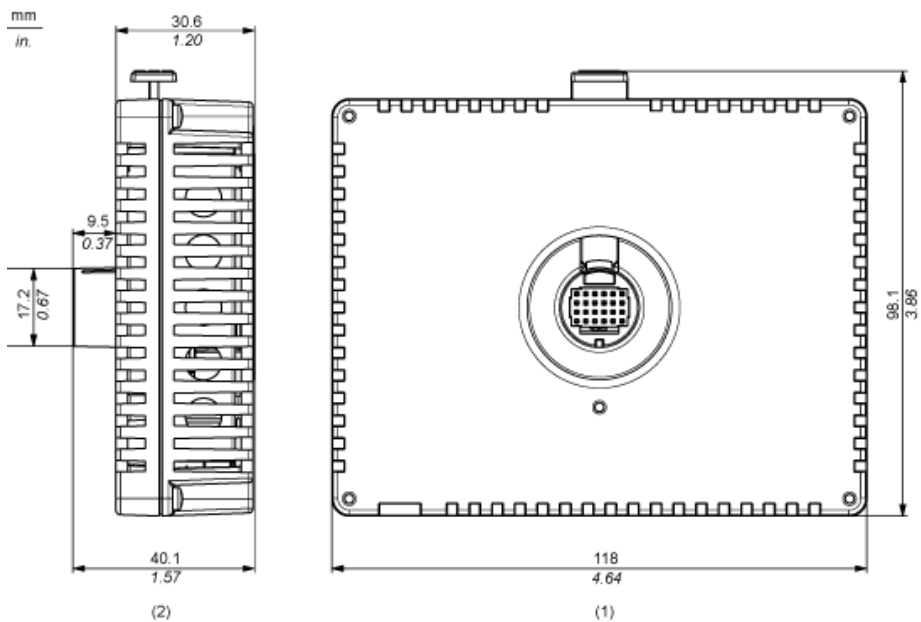
Display and Rear Modules

Dimensions



Rear Module

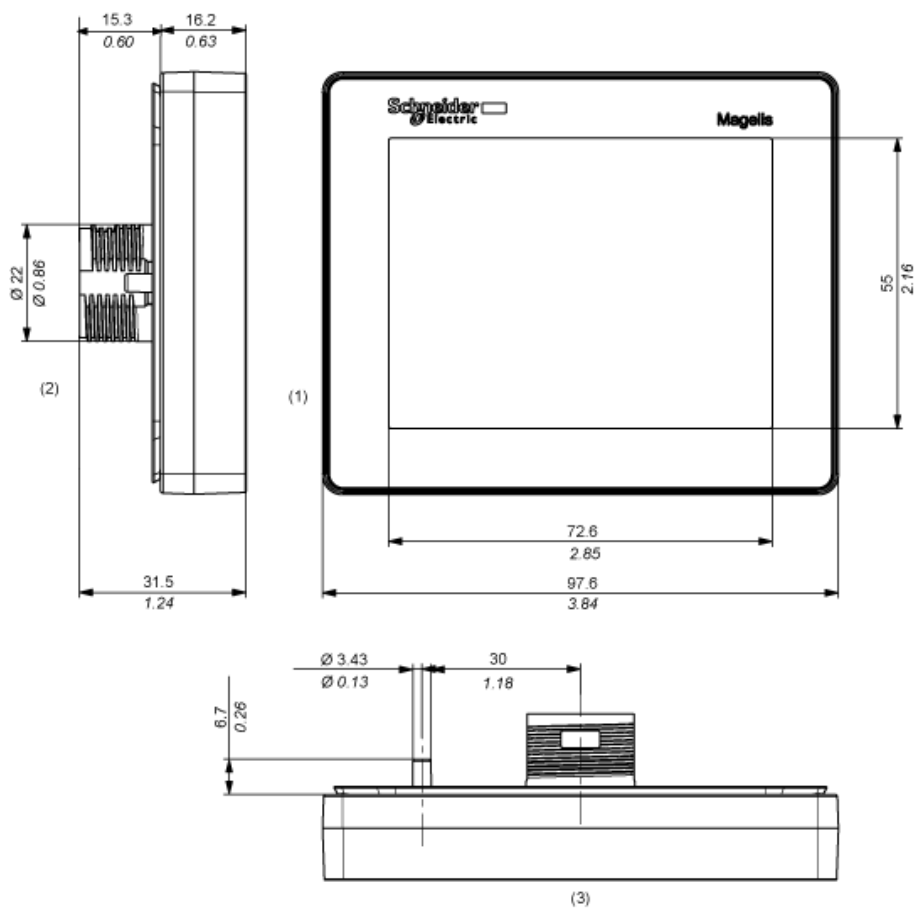
Dimensions



Display Module

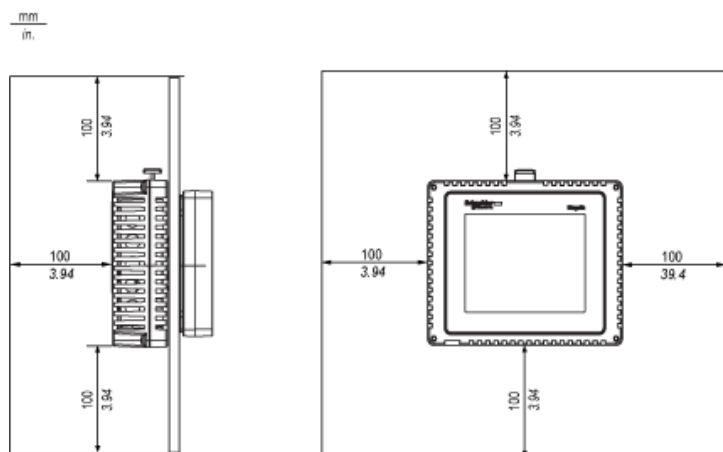
Dimensions

mm
in.

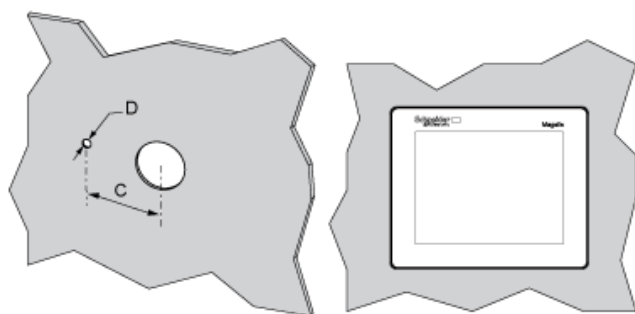


- (1) Front
- (2) Right Side
- (2) Top

Clearance



Panel Cut-out Dimensions



| C (mm) | C (in.) | D (mm) | D (in.) |
|--------|---------|--------|---------|
| +0 | +0 | +0 | +0 |
| 30.00 | 1.18 | 4.00 | 0.15 |
| -0.20 | -0.007 | -0.20 | -0.007 |

NOTE: With the tee option, the rotating torque that can be supported by the display module is 6 Nm (53.10 in-lb).