

Features

- Red dot illuminated rocker switch
- SPST switch configuration
- Nylon frame construction to UL 94V-2
- Dimensions of 21 x 17.8 x 15mm
- Panel mount

RS PRO Rocker Switches, Illuminated SPST, On-Off Rocker Switch Panel

RS Stock No.: 185-8223



RS PRO Professionally Approved Products bring to you professional quality parts across all product categories. Our product range has been tested by engineers and provides a comparable quality to the leading brands without paying a premium price.

Product Description

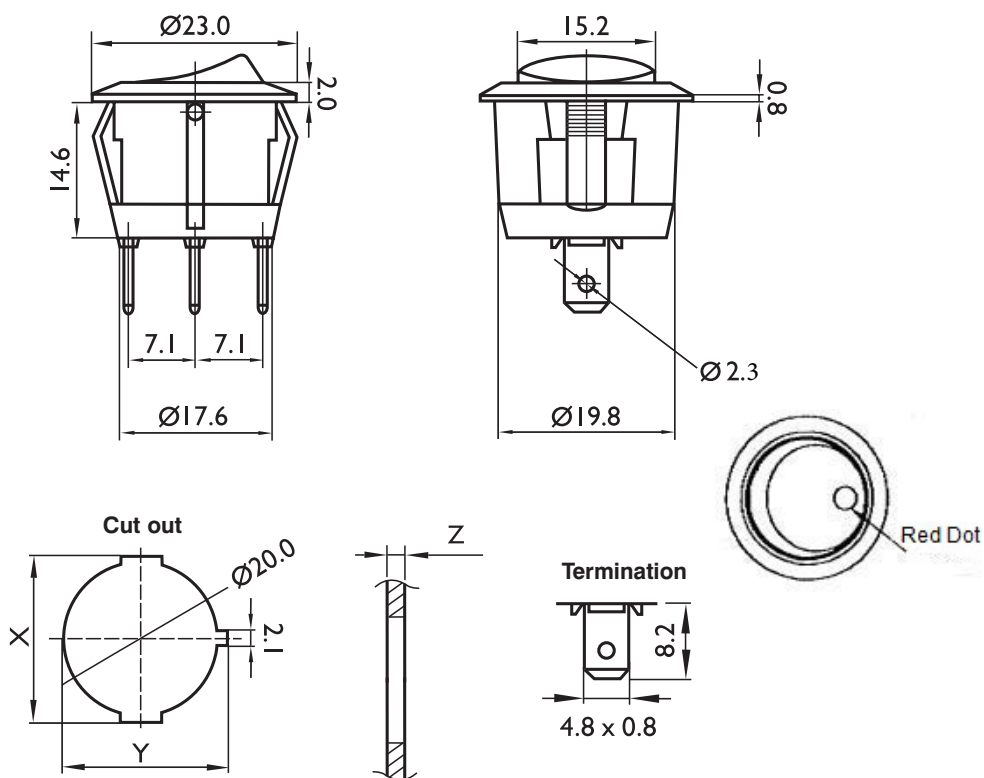
A robust and reliable illuminated dot latching rocker switch with a Single Pole Single Throw (SPST) configuration designed for an On-Off action. Constructed with a flame retardant and impact resistant Nylon 66 case and button for a rocker switch fit for industrial and commercial environments.

General Specifications

Colour	Black body with red illumination/Neon dot
Switch action	SP On-off latching
Electrical life	10,000 cycles
Operating temperature	-25°C~125°C
Housing material	Nylon #66 UL 94V-2
Rocker material	Nylon #66 UL 94V-2
Terminal material	Copper alloy SN or AG plated
Contact material	AgSn02In2O2(10)/Cu

Electrical Specifications

Rating	6(2)A 250VAC T125/55 1E4 10A 125VAC
Maximum contact resistance	30M Ω
Minimum insulation resistance	500VDC 100M Ω
Operation force	300-600gf



Cut out (diagram opposite)	Z	Y	X
	0.75-1.25	20.8	20.2
	1.25-2.0	20.8	20.4
	2.0-3.0	20.8	20.6

Double pole versions available