

10mm x 38mm Ceramic Cartridge Power Fuse

multicomp PRO

**RoHS
Compliant**



Application

Over current protection in solar system

Specification

Current Rating : 15A - 30A
 Voltage Rating : 600V
 Interrupting Current rating : 150,000 amperes at 600V AC
 50,000 amperes at 600V DC
 50,000 amperes at 600V DC
 10,000 amperes at 600V DC

Fuse Body Material : Ceramic
 Fuse Caps Material : Nickel Plated Copper Alloy
 Termination Material : Tin Plated Copper
 Operating Temperature : -55°C to 125°C

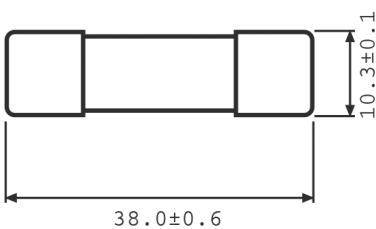
Electrical Characteristics

Rating	100% Rating		113% Rating		135% Rating		145% Rating		200% Rating	
	Min.	Max.	Min.	Max.	Min.	Max.	Min.	Max.	Min.	Max.
15A - 30A	4 Hrs	-	60 min	-	-	60 min	-	60 min	-	4min

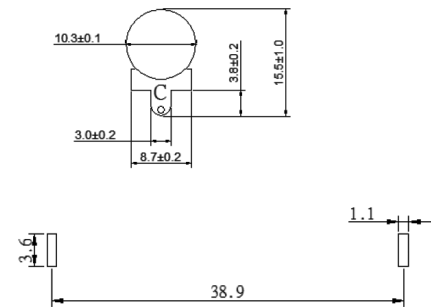
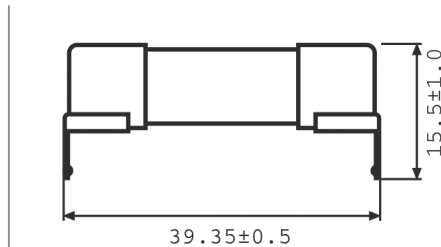
Part Number	Ampere Rating (A)	Voltage Rating (V)	Nominal Cold Resistance (Ohms)	Watts Loss 70% In (W)	Watts Loss 100% In (W)	Nominal Melting I ² t (A ² sec.)
MP001901	15A	600V	0.0081	2.2	5.4	51.64
MP001902	15A		0.0081	2.2	5.4	51.64
MP001903	20A		0.0049	2.6	6.3	206.48
MP001904	20A		0.0049	2.6	6.3	206.48
MP001905	25A		0.0037	3.1	6.9	1067.18
MP001906	25A		0.0037	3.1	6.9	1067.18
MP001907	30A		0.0028	3.5	7.6	1740.00
MP001908	30A		0.0028	3.5	7.6	1740.00

Recommend Circuit Board distance

Mechanical Dimensions



Dimensions : Millimetres



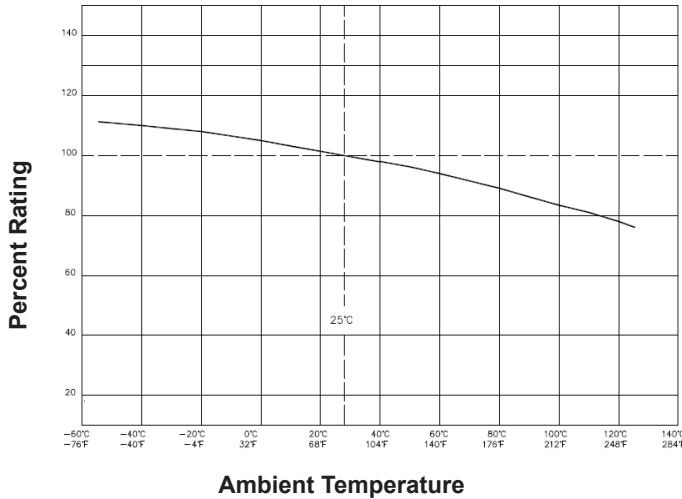
Newark.com/multicomp-pro
 Farnell.com/multicomp-pro
 Element14.com/multicomp-pro

multicomp PRO

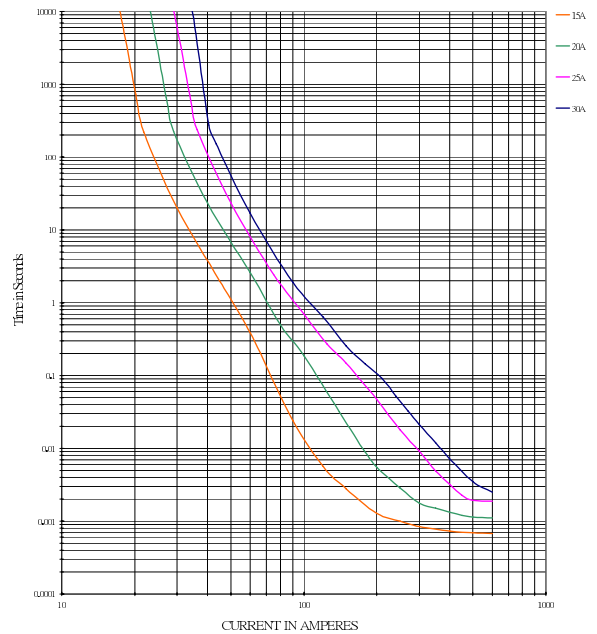
10mm x 38mm Ceramic Cartridge Power Fuse

multicomp PRO

Chart Showing Effect of Ambient Temperature on Current — Carrying Capacity



Average Melting IT Curves



Part Number Table

Description	Part Number
Ceramic Cartridge Power Fuse, Ø10mm × 38mm, 15A, 600V AC	MP001901
Ceramic Cartridge Power Fuse, Ø10mm × 38mm, 15A, 600V AC, Through hole	MP001902
Ceramic Cartridge Power Fuse, Ø10mm × 38mm, 20A, 600V AC	MP001903
Ceramic Cartridge Power Fuse, Ø10mm × 38mm, 20A, 600V AC, Through hole	MP001904
Ceramic Cartridge Power Fuse, Ø10mm × 38mm, 25A, 600V AC	MP001905
Ceramic Cartridge Power Fuse, Ø10mm × 38mm, 25A, 600V AC, Through hole	MP001906
Ceramic Cartridge Power Fuse, Ø10mm × 38mm, 30A, 600V AC	MP001907
Ceramic Cartridge Power Fuse, Ø10mm × 38mm, 30A, 600V AC, Through hole	MP001908

Important Notice : This data sheet and its contents (the "Information") belong to the members of the AVNET group of companies (the "Group") or are licensed to it. No licence is granted for the use of it other than for information purposes in connection with the products to which it relates. No licence of any intellectual property rights is granted. The Information is subject to change without notice and replaces all data sheets previously supplied. The Information supplied is believed to be accurate but the Group assumes no responsibility for its accuracy or completeness, any error in or omission from it or for any use made of it. Users of this data sheet should check for themselves the Information and the suitability of the products for their purpose and not make any assumptions based on information included or omitted. Liability for loss or damage resulting from any reliance on the Information or use of it (including liability resulting from negligence or where the Group was aware of the possibility of such loss or damage arising) is excluded. This will not operate to limit or restrict the Group's liability for death or personal injury resulting from its negligence. Multicomp Pro is the registered trademark of Premier Farnell Limited 2019.

Newark.com/multicomp-pro
 Farnell.com/multicomp-pro
 Element14.com/multicomp-pro

multicomp PRO