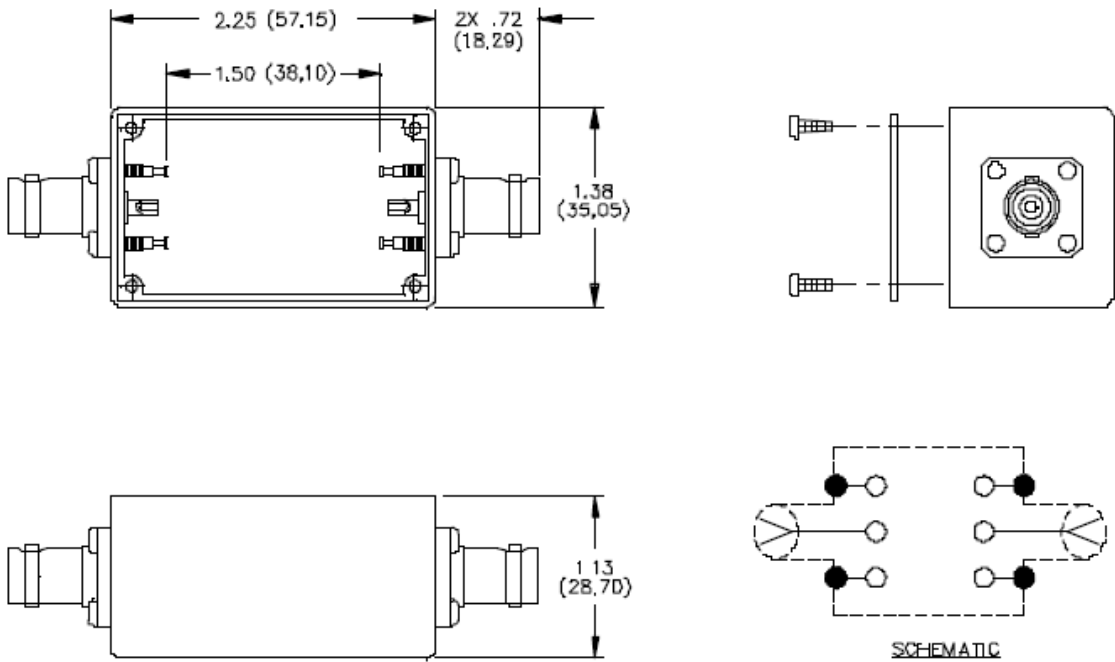


Datasheet

**RS BNC Female to Female Test Box, 2 Connectors, Blue**

RS Stock number [168-5191](#)



**Specifications**

**MATERIALS:**

- Connector: BNC (F)
- Body: Tarnish Resistant Plating, Gold Plated Beryllium Copper,
- Solder Turret Terminal Screws: Steel
- Shielded Housing: Die cast aluminium alloy A380 or A384.
- Finish: Blue paint per Federal Standard 595 #25109 over Phosphoric Etch
- Cover: .040 thick aluminium 1100-H14
- Finish: Clear anodized
- Screws: 4 each #2-32 x 1/4" Pan Head self-tapping. Steel.

**RATINGS:**

- Operating Voltage: Inner conductor/Shield: 500 VRMS Max.
- Operating Temperature: -55°C to +150°C
- Nominal Impedance: 50 Ohms