



EN

Datasheet

RS PRO NYLON-INSULATED CORD END

TERMINALS

Stock number: 178-7321

MAXIMUM ELECTRIC CURRENT:

A.W.G.	12
AMP.	35

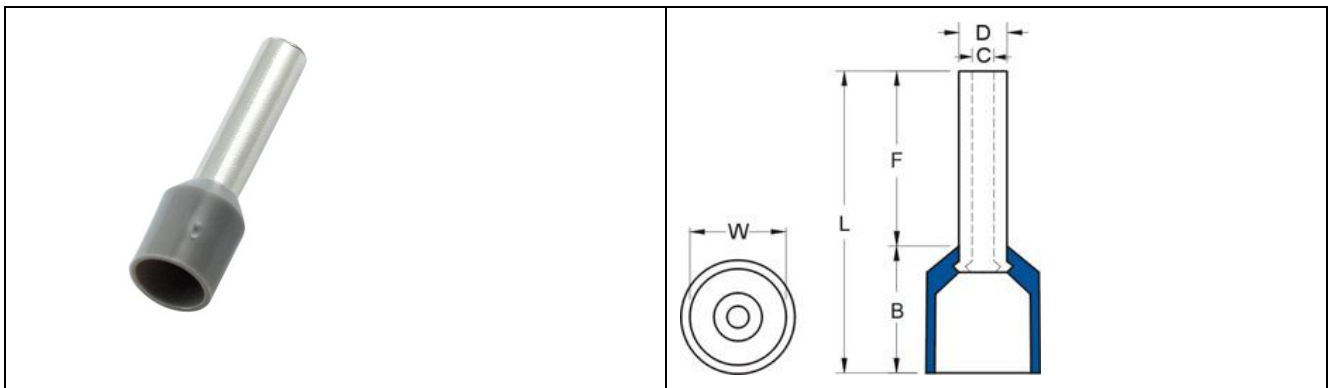
MAXIMUM ELECTRICAL RATING: 105° C 600 VOLTS MAX.

INSULATION MATERIAL: NYLON

TERMINAL MATERIAL: COPPER TUBE

SURFACE TREATMENT: TIN PLATE

INSULATION COLOR: GREY



WIRE RANGE A.W.G. mm ²	ITEM NO.	DIMENSION inch(mm)					
		F	L	W	B	D	C
12 A.W.G.	178-7321	0.394	0.699	0.189	0.291	0.126	0.11
4 mm ²		10	17	4.8	7.4	3.200	2.8