

## Datasheet

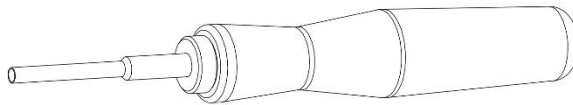
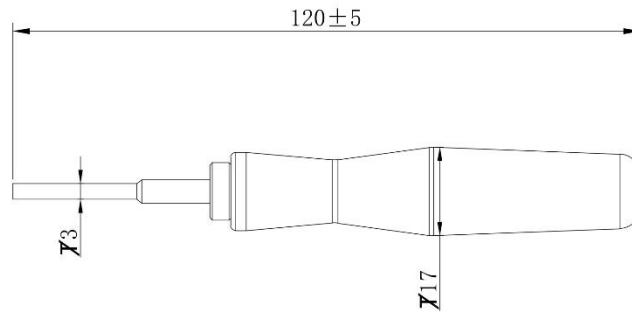
# RS PRO Contact Removal Tools for RS Pro Heavy Duty Range



The RS Pro Heavy-Duty Connector series is a full range of heavy-duty inserts, housings, crimps and accessories. The housing is produced from corrosion resistant powder coated die cast Aluminium with locking levers made from galvanized Iron. These offer IP65 protection and come in standard or tall variations with both single and double locking options. The inserts are all made from Polycarbonate to industry standard sizes and are available in a choice of screw, crimp or spring clam terminations in a large variety of current ratings. The entire range of connectors are RoHS compliant and as with all RS Pro products, offer exceptional value for money.

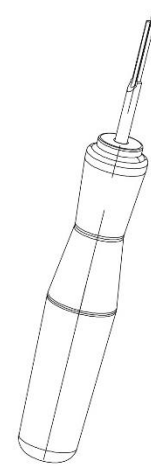
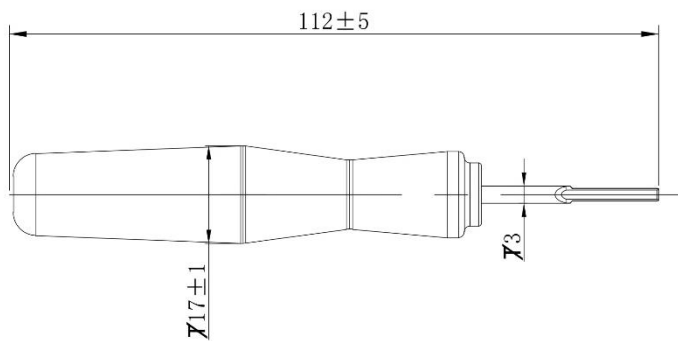
# Dimensional drawing for 10A Contact Removal Tool for HD Series Heavy Duty Inserts

208-4620



# Dimensional drawing for 5A Contact Removal Tool for HM Series Heavy Duty Inserts

208-4621



## Quality Standards



[rspro.com](http://rspro.com)

